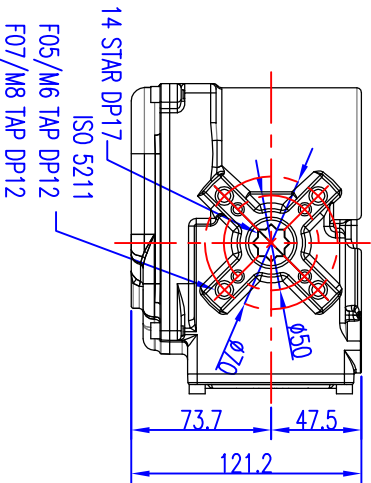
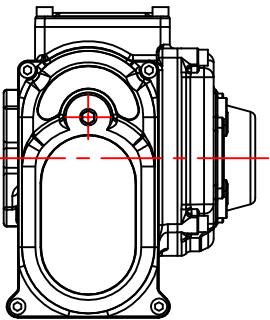
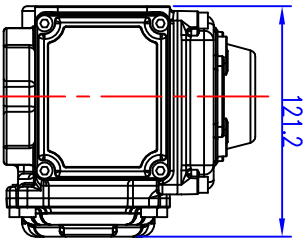
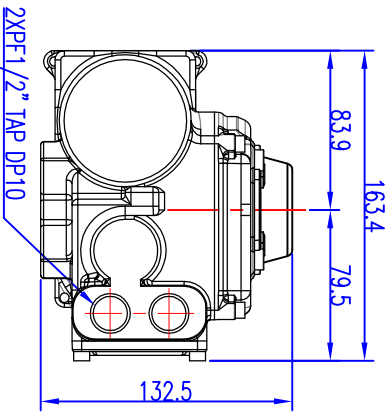
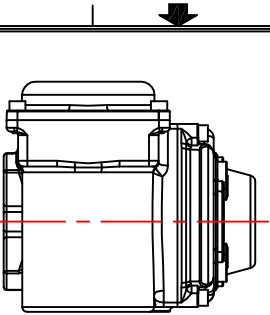
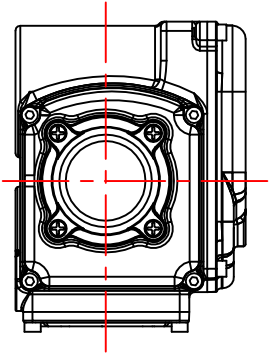


Electric actuator / KE010



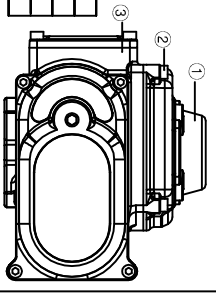
REV.NO	REVISION DESCRIPTION	DRAWN / DATE	APPROVED / DATE
△	AC,DC 도면 합침	노윤아/131218	
△	결선도 삭제	노윤아/140422	

SPECIFICATIONS

1. Type : Quarter-turn for Rotary
2. Power : 110V 220V AC, 24V DC
3. Operating temperature : -20~60
4. Weight : 30Kg

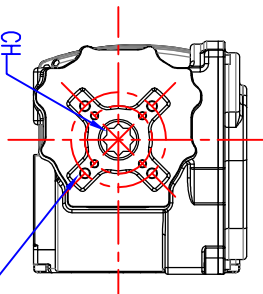
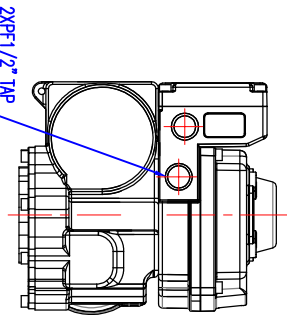
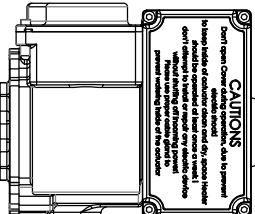
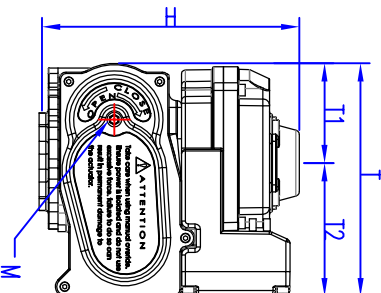
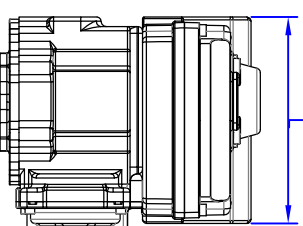
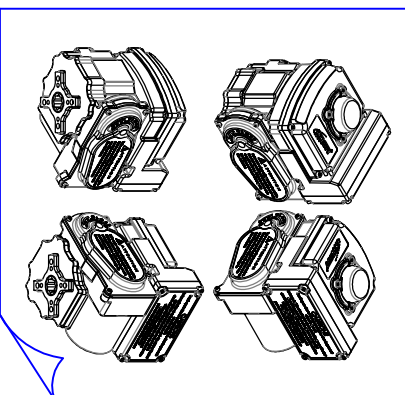
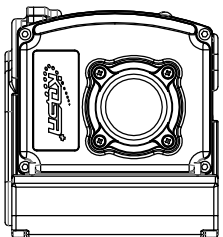
MAJOR PART LIST

NO.	PART NAME	MATERIAL
1	WINDOW	ENGINEERING PLASTIC (PC)
2	BOLT	STAINLESS STEEL
3	BODYCOVER	ALUMINIUM



PRODUCT NAME Electric actuator		KOSAPLUS Co.,Ltd	
MODEL KE010	TITLE DRAWING	DRAWING NO. EAKED010-001	REV. 3
MATERIAL -	HARDNESS -	APPROVED DATE	
DRAWING DATE	APPROVED DATE		

Electric actuator / KE016~KE050



ISO 5211
 ØP.C.D / N-G (DP)

MODEL	ISO5211	ØP.C.D	N-G (DP)	L	T	T1	T2	H	CH	DP	M	WT (kg)
KE016	F05/F07	50/70	4-M5/M8 (12/12)	157	171.6	73.5	98.1	189.8	17*17	19	M6	6.2
KE028												8.9
KE040	F07/F10	70/102	4-M8/M10 (17/17)	181.9	208.9	86.9	122	209	22*22	19	M8	9.4
KE050												9.4

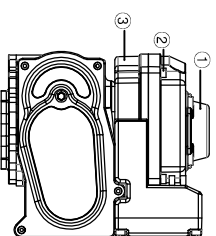
REV. NO.	REVISION DESCRIPTION	DRAWN / DATE	REVIEWED / DATE	APPROVED / DATE
△	외조형성	노윤아/140422		

SPECIFICATIONS

1. Type : Quarter-turn for Rotary
2. Power : Depends on model
3. Operating temperature : -20~60°

MAJOR PART LIST

NO.	PART NAME	MATERIAL
1	WINDOW	ENGINEERING PLASTIC (PE)
2	BOLT	STAINLESS STEEL
3	BODYCOVER	ALUMINUM



PRODUCT NAME Electric actuator		TITLE KOSAPLUS Co.,Ltd	
MODEL KE016~KE050	HARDNESS -	DRAWING NO. DRAWING	
DRAWING DATE	APPROVED DATE	EAKE016~050-001	REV. 0