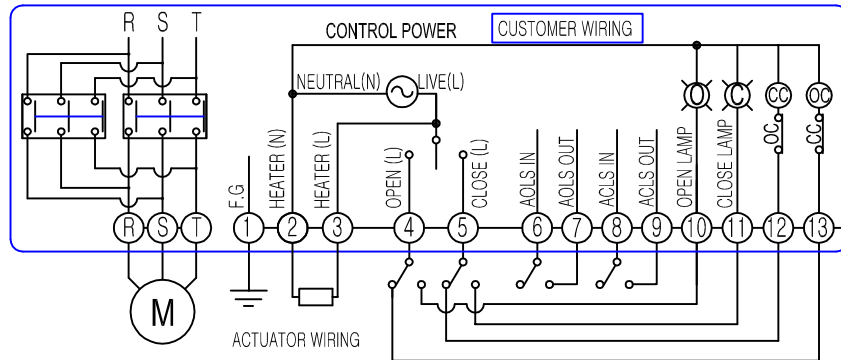
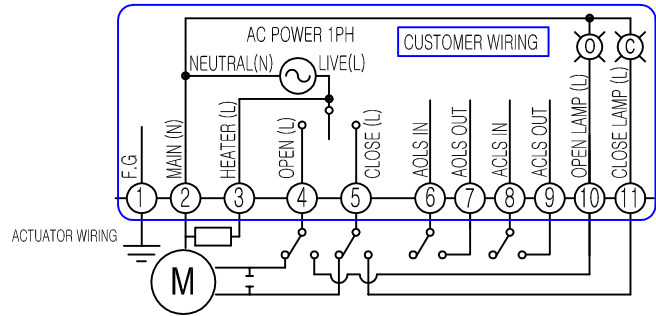


Electric actuator / Wiring / KE010~KE050

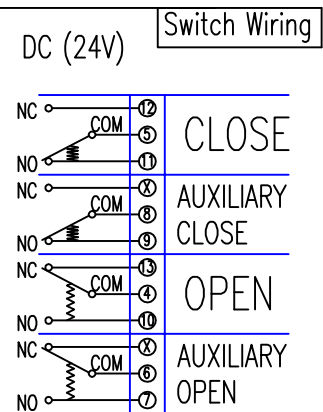
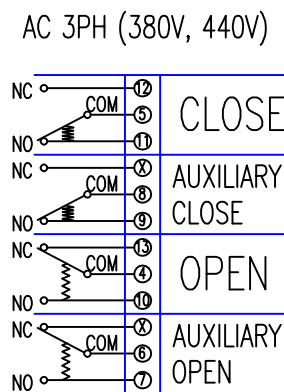
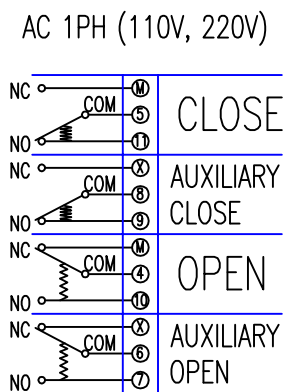
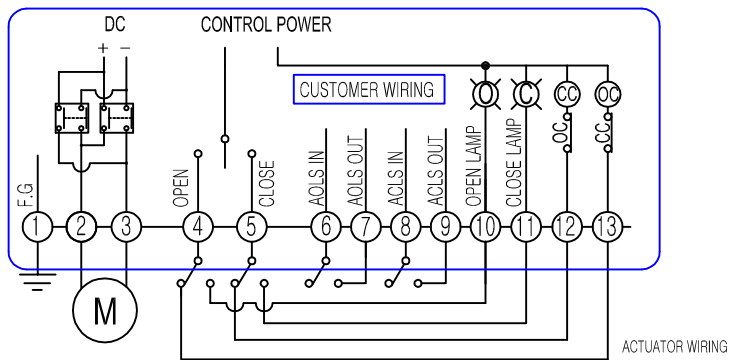
REV. NO.	REVISION DESCRIPTION	DRAWN / DATE	APPROVED / DATE
△	최초작성	노을아/14.07.22	/

AC 1PH (110V, 220V)
KE010, K016, KE028, KE040, KE050

AC 3PH (380V, 440V)
KE040, KE050



DC (24V)
KE010, KE016, KE028, KE040



LIMIT SWITCH OPERATION

SWITCH	CLOSE	INTERMEDIATE	OPEN
CLS COM-NC	█	█	
CLS COM-NO		█	█
ACLS COM-NC	█	█	
ACLS COM-NO		█	█
OLS COM-NC	█	█	
OLS COM-NO		█	█
AOLS COM-NC	█	█	
AOLS COM-NO		█	█

PRODUCT NAME Electric actuator		KOSAPLUS Co.,Ltd <small>KOREA</small>	
MODEL KE010~KE050		TITLE WIRING	
MATERIAL -	HARDNESS -	DRAWING NO. KE010/050-WR 0	REV. 0