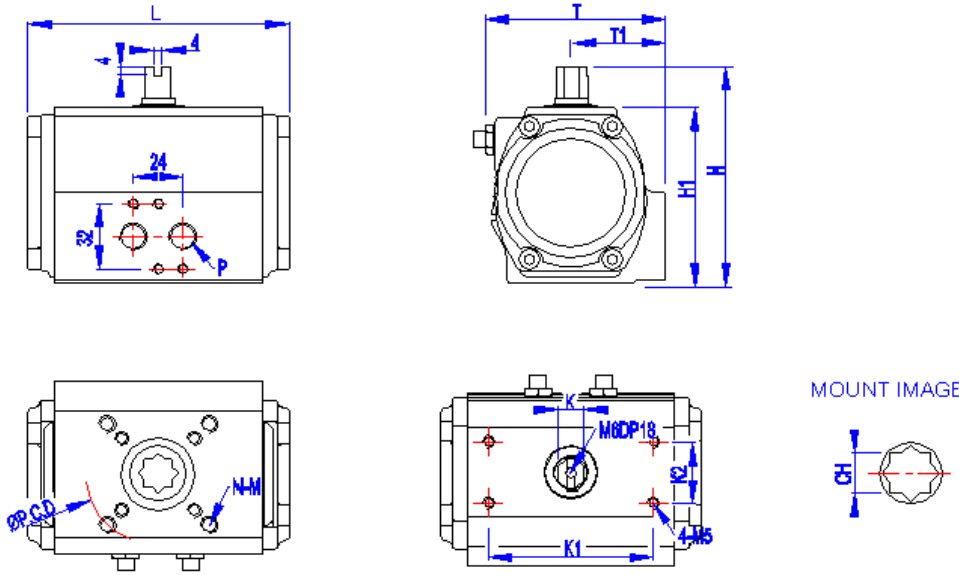


## RD SERIES DIMENSION TABLE



P	
R32, R40	PT1/8
R50~	PT1/4

UNIT : mm

MODEL	K1	K2	ISO	P.C.D(φ)	N-G	K	L	T	T1	H	H1	CH	DTH	WG(K)
@RD32	25.5	25.5	F03	36	4-M5	7	66	45	25	55	45	9*9	9	0.3
@RD40	50	25	F03/F05	36/50	4-M5/M6	9	97	63	32	75	55	9*9	9	0.5
			#F04	#42	#4-M5									
RD50	80	30	F03/F05/F07	36/50/70	4-M5/M6/M8	9	119	75	40	90	70	11*11	13	1.0
			#F04	#42	#4-M5									
RD65	80	30	F05/F07	50/70	4-M6/M8	13	131	89	46	106.5	86.5	14*14	16	1.4
			#F04/F07	#42	#4-M5									
RD80	80	30	F05/F07	50/70	4-M6/M8	19	189	101	49.5	126	106	17*17	19	2.9
RD90	80	30	F07	70	4-M8	19	188	104	54.5	136	116	17*17	19	3.4
RD100	80	30	F07/F10	70/102	4-M8/M10	19	229	132	61.5	148	128	22*22	26	4.7
												#17*17	19	
RD115	80	30	F07/F10	70/102	4-M8/M10	19	265	142	67.5	163	143	22*22	26	6.7
RD125	80	30	F07/F10	70/102	4-M8/M10	19	299	151	71.5	174	154	22*22	26	8.6
RD140	80	30	F10/F12	102/125	4-M10/M12	24	332	164	77	192	172	27*27	30	12.4
												#22*22	26	
RD160	80	30	F10/F12	102/125	4-M10/M12	24	364	188	89	216	196	27*27	30	16.9
RD185	80	30	F10/F12	102/125	4-M10/M12	24	434	217	103	244	224	36*36	30	24.2
RD210	130	30	F14	140	4-M16	36	444	231	115	284	254	36*36	30	32.3

-Model with '@' is compact type. They don't have angle stopper. -Model with '#' is optional.

RevNo	Revision note	Date	Reviser
23	R80 F05추가	17.04.25	Norah
22	R185 ISO 변경	16.10.19	Norah
21	R185 (K1,K,ISO,H) 수정	16.09.20	Norah
20	R65/115,185 수정	15.08.07	Norah
19	R160 T1오타 수정	15.04.15	Norah

TITLE	DESIGN
Dimension table	Norah
Rack&pinion	<b>KOSAPLUS Co.,Ltd</b>
Double acting	<a href="http://www.kosaplus.com">www.kosaplus.com</a>
FILE NAME	T:(82)31-433-3159
Dimension table	R