

# Valve position indicator



## Contents

A series  
Part List

A series  
Selection guide  
Dimension

A series  
Torque table

R series  
Part list

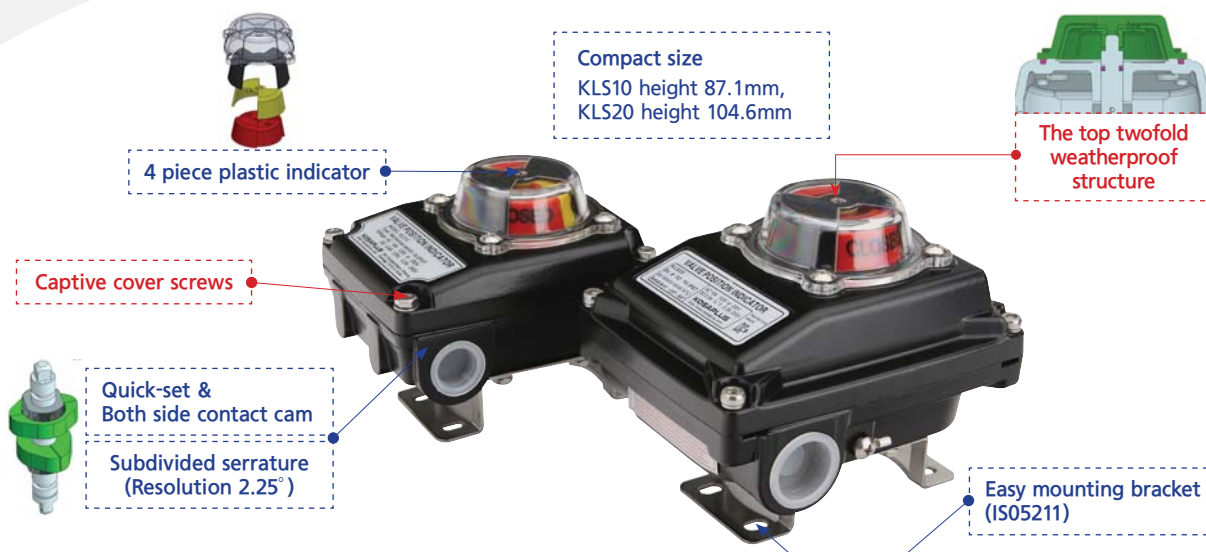
R series  
Selection guide  
Dimension

R series  
Torque table

Various option

Limit switch  
box

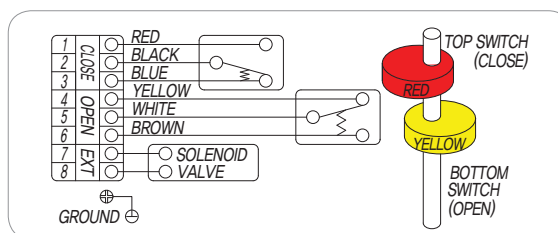
Positioner



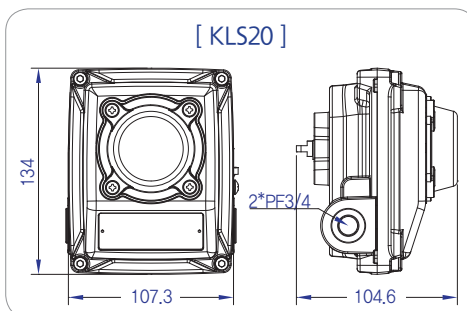
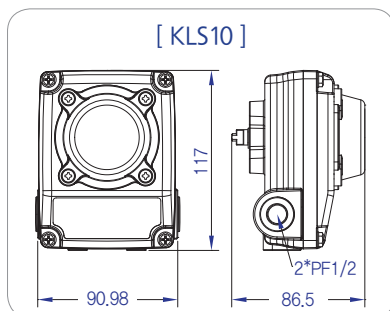
## ► Switch specification

- CSA, RU, VDE, KC Approved.	
Switch type	2*SPDT
Voltage	· AC 16A 125V or 250V · DC 0.6A 125V, 0.3A 250V
Enclosure protection	IP67, IP68

## ► Wiring



## ► Dimension



## ► Bracket

BS1	BS2	BS3	BS4
Size 50*25*20 (R40)	Size 30*80*20 (AR50~AR185)	Size 30*130*30 (AR210~A300)	Size 30*80(130)*20(30)(AR50~AR300)
Material Stainless steel	Material Stainless steel	Material Stainless steel	Material Stainless steel



# Limit switch box

## Contents

A series  
Part List

A series  
Selection guide  
Dimension

A series  
Torque table

R series  
Part list

R series  
Selection guide  
Dimension

R series  
Torque table

Various option

Limit switch  
box

Positioner

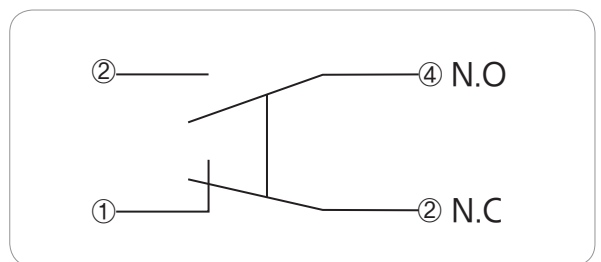
## ► Specification

Allowable operation speed		0.1 m ~ 1 m/s		
Insulation resistance		Min 100M $\Omega$ (500 V d.c insulated ohmmeter)		
Contact resistance		Max 50 m $\Omega$		
Dielectric strength	Between non-continuous terminal	AC 1,000V / 50~60Hz for 1 minute		
	Between each terminal and non-conduction metal part	AC 2,000V / 50~60Hz for 1 minute		
Vibration resistance		10~55Hz, double amplitude 1.5 mm		
Shock resistance	Destruction	Approx. 1,000 m/s <sup>2</sup>		
	Malfunction	Approx. 300 m/s <sup>2</sup>		
Mechanical life		2*SPDT		
Electrical life		Over 0.3 million operations (open/close frequency 20 times/min)		
Operating temp.		(open/close frequency 20 times/min)		
Operating humidity		45 ~ 85% RH		
Explosion proof type		Ex d IIC T6 IP67		
Rated voltage	Rated electro current (A)			
	Resistive load	Induction load	Electric motor load	
			N,C	N,O
AC 125 V	15	10	2	1
AC 250 V	10	6	1.5	0.75
DC 125 V	0.4	0.05	-	-
DC 250 V	0.2	0.03	-	-

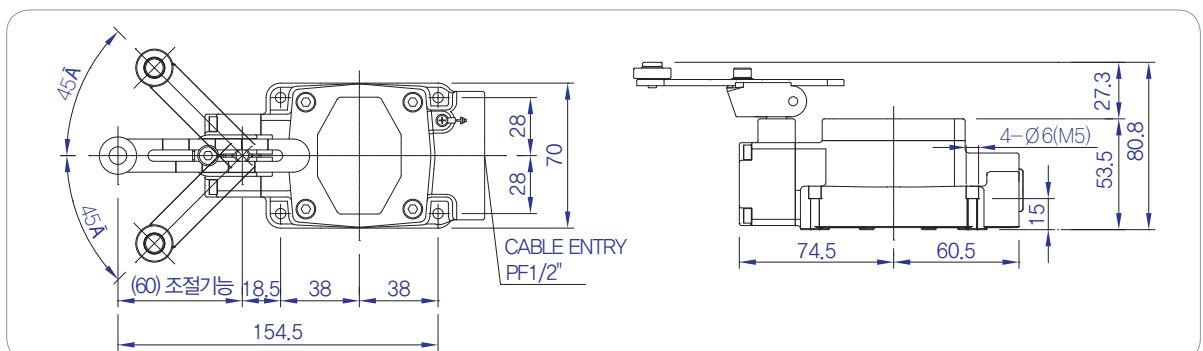
## ► Label

PROTECTION GRADE	KU100 Ex d IIC T6 IP67 15-KB2BO-0071 (KTL) Ambient -10° ~ 60°
ELECTRIC RATING	125V - 10A 250V - 5A 125VDC - 0.8A 250VDC - 0.4A

## ► Wiring



## ► Dimension



# Positioner

## Contents

A series  
Part List

A series  
Selection guide  
Dimension

A series  
Torque table

R series  
Part list

R series  
Selection guide  
Dimension

R series  
Torque table

Various option

Limit switch  
box

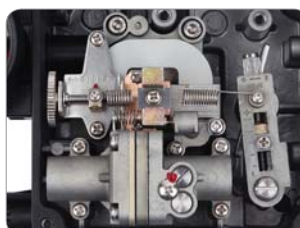
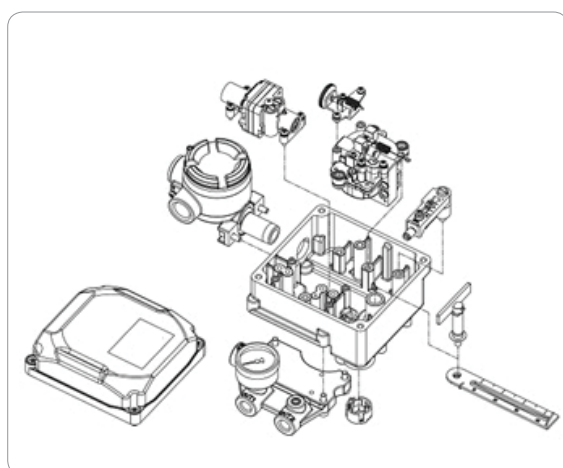
Positioner



- Simple zero and span adjustment.
- Easy maintenance due to built-in module type.
- Strong to vibrations and No resonance between 5-200Hz.
- By-pass valve (A/M switch) installed.
- Air connection part is designed for detachability and it can be changed PF/NPT tapping threads in the field easily.

Type	KEP10L (Linear)		KEP10R (Rotary)		Model code : KEP @B©@E - ①			
	Single	Double	Single	Double	@ Motion			
Input Signal	4~20mA DC					L : Linear		
Impedance	250±15Ω					R : Rotary		
Supply Pressure	0.14~0.7MPa					N : Non		
Stroke	10~150mm		0~90°			B : Ex dmb II B		
Air Connection	PT 1/4 (NPT 1/4)					C : Ex dmb II C		
Gauge Connection	PT 1/8 (NPT 1/8)					A : Ex ia II C		
Conduit	PF 1/2 (NPT 1/2)							
Explosion Proof	IP66							
Destruction	Operating Temp.	-30°C~70°C (#L:-40°C~70°C/#H:-30°C~120°C)					Conduit	
	Explosion Temp.	-40°C~60°C(T5)/-40°C~40°C(T6)					Air	
Linearity	±1.0% F.S	±2.0% F.S	±1.0% F.S	±2.0% F.S		1 : PF1/2 PT1/4		
Sensitivity	±0.2% F.S	±0.5% F.S	±0.2% F.S	±0.5% F.S		2 : PF1/2 NPT1/4		
Hysteresis	±1.0% F.S					3 : NPT1/2 NPT1/4		
Repeatability	±0.5% F.S							
Air Consumption	Blow 2.5LPM (Sup=0.14MPa)							
Flow Capacity	Over 80LPM (Sup=0.14MPa)							
Material	Aluminum Diecasting							
Weight	2.8Kg							
						④ Lever		
						Linear		
						1 : 10~40mm		
						4 : 40~70mm		
						7 : 70~100mm		
						0 : 100~150mm		
						Rotary		
						6 : M6*34L		
						N : Namur		
						⑤ Ambient Temp.		
						S : -30°C~70°C		
						L : -40°C~70°C		
						H : -30°C~120°C		
						⑥ Option		
						F : 4~20mA Feedback signal		
						L : Limit switch included (2xSPDT)		
						2 : Feedback+Limit switch		

-Tested under ambient temperature of 20°C, absolute pressure of 760mmHg, and humidity of 65%.



## Contents

A series  
Part List

A series  
Selection guide  
Dimension

A series  
Torque table

R series  
Part list

R series  
Selection guide  
Dimension

R series  
Torque table

Various option

Limit switch  
box

Positioner

## ▶ A series (scotch yoke) ISO5211 / Stem / Weight

MODEL	ISO5211	STEM	AD(Kg)	AS(Kg)
A50	F03/F05/F07	11*11	1.4	1.6
		#14*14		
		#9.7*15		
A65	F05/F07	14*14	2.3	3.0
		#11*11		
		#11.7*Ø17		
		#9.7*Ø15		
A80	F07	17*17	3.9	5.3
A100	F07/F10	#14.7*Ø19	6.7	9.5
		22*22		
A125	F07/F10	#17.7*Ø22	11.3	17.6
A140	F10/F12	27*27	16.4	23.9
		#22*22		
A160	F14	36*36	23.7	36.6
	#F10/F12	#27*27		
A185	F14	36*36	34.8	56.9
A210	F16	46*46	45.5	77.2
	#F14	#36*36		
A250	F16	46*46	65.8	119.6
A300	F16/F25	55*55	165	275.5

#Option

## ▶ R series (rack pinion) ISO5211 / Stem / Weight

MODEL	ISO5211	STEM	RD(Kg)	RS(Kg)
RD32	F03	9*9	0.3	-
R40	F03/F05	9*9	0.5	0.6
	#F04			
R50	F03/F05/F07	11*11	1.0	1.1
	#F04			
R65	F05/F07	14*14	1.4	1.5
	#F04/F07			
R80	F05/F07	17*17	2.9	3.3
R90	F07	17*17	3.4	3.8
R100	F07/F10	22*22	4.7	5.4
		#17*17		
R115	F07/F10	22*22	6.7	7.5
R125	F07/F10	22*22	8.6	9.9
R140	F10/F12	27*27	12.4	14.5
		#22*22		
R160	F10/F12	27*27	16.9	19.5
R185	F10/F12	36*36	24.2	29.0
R210	F14	36*36	32.3	37.9

#Option

**KOSAPLUS** KOSAPLUS Co.,Ltd.  
 294, Gongdan2daero, Siheung, Gyeonggi, 15115, S.Korea (<http://www.kosaplus.com>)  
 · E-mail : [oversea@kosaplus.com](mailto:oversea@kosaplus.com) · Tel : +82-31-433-3159 / Fax : +82-31-433-3151  
 Catalog Version : 5.1 (Nov.2018)

- Data contained in the Catalog may be subject to change without advance notice for improvement of performance&safety of Product.  
 - Contact us for the most recent product and technical information. Visit our website for more details: <http://www.kosaplus.com>