

# ► Option table

## Contents

### Model code

### Performance Specification ISO5211&stem

### Dimension

### Wiring

### Option table Modulating Control

### DC control board 2 wire/3 wire

### Local control

### Explosion proof

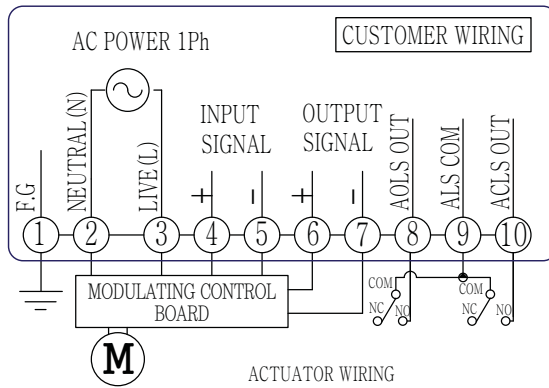
Option	Description	Model											
		KE002	KE004	KE005	KE006	KE008	KE010	KE016	KE028	KE040	KE050	KE080	KE120
WT	Watertight (IP68 5m 120hr)	○	○	○	○	○	○	○	○	○	○	○	○
TS	Electric Torque switches							○	○	○	○	○	○
MC	Modulating Control (4~20mA)	1ph	○	○	○	○	○	○	○	○	○	○	○
SM	Modulating cotrol (4~20mA,0~1V,2~10V,0~5V,1~5V)	1ph	○	○	○	○			○	○	○	○	○
		24v dc	○	○	○	○	○	○	○	○			
LC	Local Control (Electric torque switch included)	1ph							○	○	○	○	○
		3ph							○	○	○	○	○
LM	Local and Modulating control (Electric torque switch included)	1ph							○	○	○	○	○
		3ph							○	○	○	○	○
C2	24V DC Control board (2 Wire)	○	○		○								
C3	24V DC Control board (3 Wire)	○	○	Standard Included	○								
TP	Thermal Protect											(Only AC) Standard Included	
HT	Heater			(Only AC) Standard Included								(Only AC) Standard Included	
TH	Thermal protect and Heater	○	○		○								

# ► Wiring

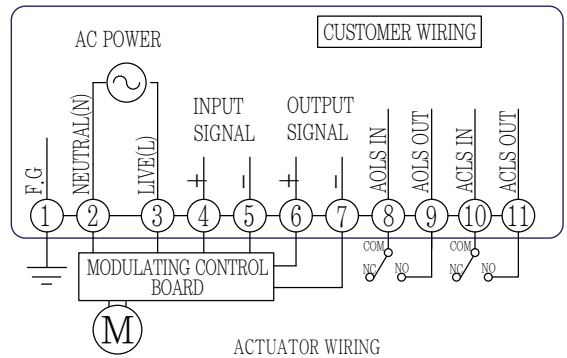
## MC&SM (Modulating Control)

\*MC and SM are the same wiring.

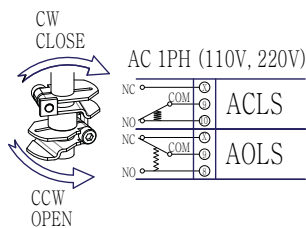
### ► AC 1PH (KE002-KE006)



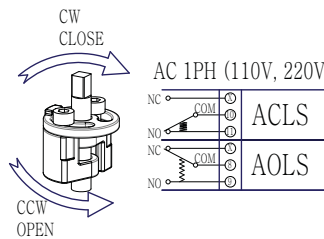
### ► AC 1PH (KE008-KE120)



### ► KE008



### ► KE010-KE120



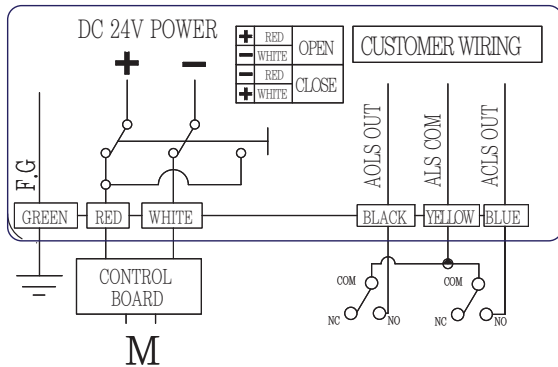
### ► LIMIT SWITCH OPERATION

SWITCH	CLOSE	← INTERMEDIATE →	OPEN
CLS COM-NC	■	■	■
CLS COM-NO	■	■	■
ACLS COM-NC	■	■	■
ACLS COM-NO	■	■	■
OLS COM-NC	■	■	■
OLS COM-NO	■	■	■
AOLS COM-NC	■	■	■
AOLS COM-NO	■	■	■

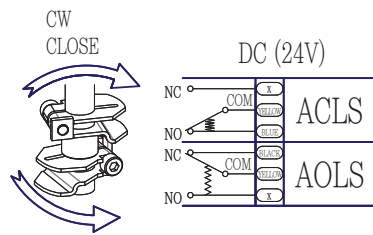
\* MC option model's dimension is different with standard.  
(KE002, KE004, KE006, KE010-KE120)

## C2 (24V DC Control board 2 Wire)

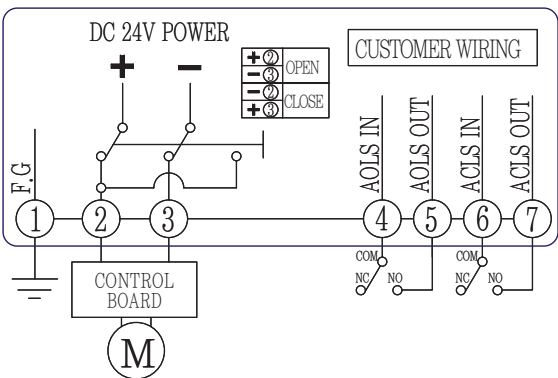
### ▶ KE002



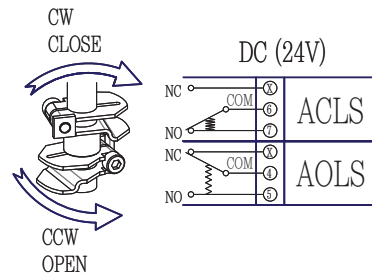
### ▶ SWITCH WIRING (POSITION : FULL CLOSE)



### ▶ KE004/KE006/KE008

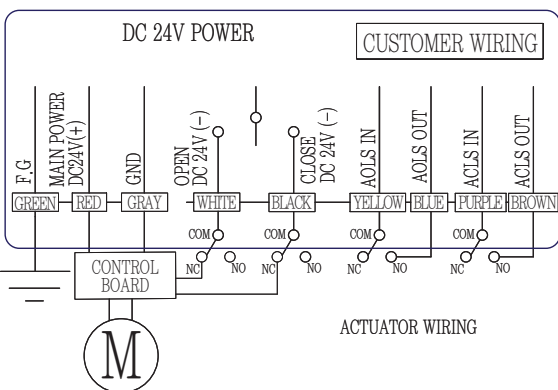


### ▶ SWITCH WIRING (POSITION : FULL CLOSE)

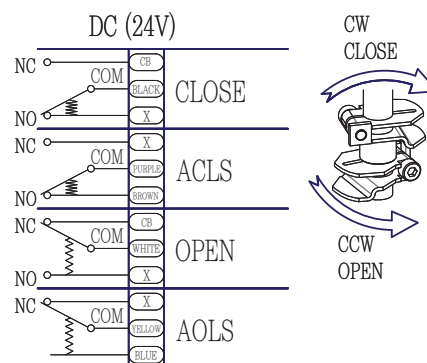


## C3 (24V DC Control board 3 Wire)

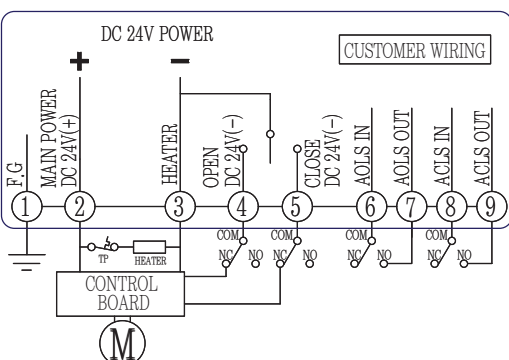
### ▶ KE002



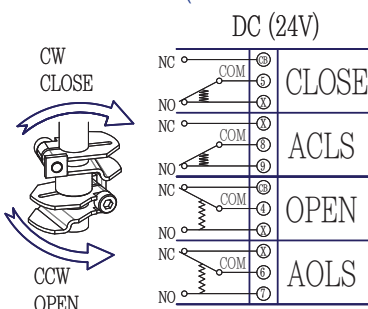
### ▶ SWITCH WIRING (POSITION : FULL CLOSE)



### ▶ KE004/KE006



### ▶ SWITCH WIRING (POSITION : FULL CLOSE)



## Contents

Model code

Performance Specification  
ISO5211&stem

Dimension

Wiring

Option table  
Modulating Control

DC control board  
2 wire/3 wire

Local control

Explosion proof

## Contents

Model code

Performance Specification ISO5211&stem

Dimension

Wiring

Option table Modulating Control

DC control board 2 wire/3 wire

Local control

Explosion proof

## LC (Local Control)

<b>MODEL RANGE</b>	<ul style="list-style-type: none"> <li>·1ph Local control</li> <li>·3ph Local control</li> <li>·1ph Local control with Modulating control (Torque switch is included)</li> <li>·3ph Local control with Modulating control (Torque switch is included)</li> </ul>	
<b>AMBIENT TEMPERATURE INDICATOR</b>	-20°C~+60°C	
<b>LIMIT SWITCHES</b>	2 Each for Open and Close 250VAC/5A	
<b>MANUAL OPERATION</b>	KE016	By Spanner 6mm
	KE028, KE040, KE050	By Spanner 8mm
	KE080, KE120	BY Hand wheel
<b>TRAVEL ANGLE</b>	90° ±5	
<b>CABLE ENTRIES</b>	3-PF1/2	

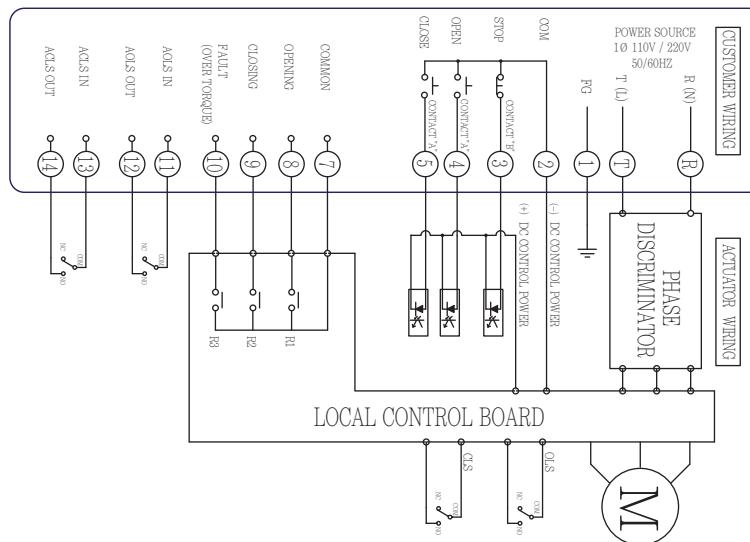


## ► Performance

MODEL	MAX TORQUE (Nm)			OP. TIME 50/60Hz (sec)	RATED CURRENT (A)					MOTOR INSULATION /OUTPUT(AC · DC)	MANUAL TURNS
	0°	45°	90°		AC(1PHASE)		AC(3PHASE)		DC		
					110V	220V	380V	440V	24V		
KE010	100	65	100	22/18	0.82/0.75	0.42/0.40	N/A	N/A	2.5	F · B/10W · 15W	15
#KE010-80N	80	50	80	18/14	0.82/0.75	0.42/0.40	N/A	N/A	2.5	F · B/10W · 15W	11
#KE010-60N	60	40	60	11/14	0.82/0.75	0.42/0.40	N/A	N/A	2.5	F · B/10W · 15W	9
KE016	160	107	160	28/23	0.94/0.85	0.50/0.46	0.47/0.37	0.62/0.49	4	F · B/15W · 15W	19
#KE160-130N	130	85	130	22/18	0.94/0.85	0.50/0.46	0.47/0.37	0.62/0.49	4	F · B/15W · 15W	16
#KE160-100N	100	65	100	18/14	0.94/0.85	0.50/0.46	0.47/0.37	0.62/0.49	4	F · B/15W · 15W	13
KE028	280	190	280	40/33	0.94/0.85	0.50/0.46	0.47/0.37	0.62/0.49	4	F · B/15W · 15W	23
#KE028-240N	240	160	240	30/25	0.94/0.85	0.50/0.46	0.47/0.37	0.62/0.49	4	F · B/15W · 15W	19
#KE028-190N	190	125	190	24/20	0.94/0.85	0.50/0.46	0.47/0.37	0.62/0.49	4	F · B/15W · 15W	15
KE040	400	270	400	40/33	1.09/1.23	0.54/0.58	0.16/0.15	0.18/0.16	5.5	F · B/25W · 40W	23
#KE040-350N	350	240	350	30/25	1.09/1.23	0.54/0.58	0.16/0.15	0.18/0.16	5.5	F · B/25W · 40W	19
#KE040-300N	300	220	300	24/20	1.09/1.23	0.54/0.58	0.16/0.15	0.18/0.16	5.5	F · B/25W · 40W	15
KE050	500	350	500	40/33	1.55/1.75	0.72/0.90	0.30/0.28	0.40/0.30	N/A	F/40W	23
#KE050-450N	450	310	450	30/25	1.55/1.75	0.72/0.90	0.30/0.28	0.40/0.30	N/A	F/40W	19
#KE050-400N	400	280	400	24/20	1.55/1.75	0.72/0.90	0.30/0.28	0.40/0.30	N/A	F/40W	15
KE080	800	540	800	51/42	1.97/2.83	1.09/1.46	0.5/0.54	0.57/0.55	N/A	F/60W	77
KE120	1200	800	1200	51/42	1.97/2.83	1.09/1.46	0.5/0.54	0.57/0.55	N/A	F/90W	77

\*Maximum current can be +30% from rated current. #Option

## ► Wiring • 1PH LC (KE016, KE028, KE040, KE050, KE080, KE120)



STOP : REMOTE MODE ACTUATOR STOP  
 OPEN : REMOTE MODE OPEN RUNNING  
 CLOSE : REMOTE MODE CLOSE RUNNING  
 R1 : OPENING MONITOR RELAY  
 R2 : CLOSING MONITOR RELAY  
 R3 : FAULT RELAY  
 OLS : OPEN LIMIT SWITCH  
 CLS : CLOSE LIMIT SWITCH

Explosion proof

## ► Standard specification

ENCLOSURE	Ex d IIB T4 IP67
AMBIENT TEMPERATURE	-20°C~+70°C
INDICATOR	Flat type mechanical indicator (Dome type in option)
LIMIT SWITCHES	2 Each for Open and Close 250VAC/5A
MANUAL OPERATION	By Spanner 5mm
TRAVEL ANGLE	90° +5°
CABLE ENTRIES	2-PF1/2



## Contents

Model code

Performance Specification ISO5211&stem

Dimension

Wiring

Option table Modulating Control

DC control board 2 wire/3 wire

Local control

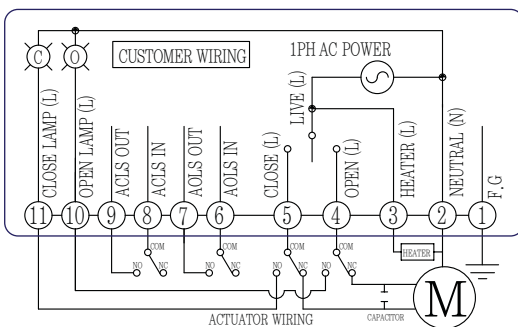
Explosion proof

## ► Performance

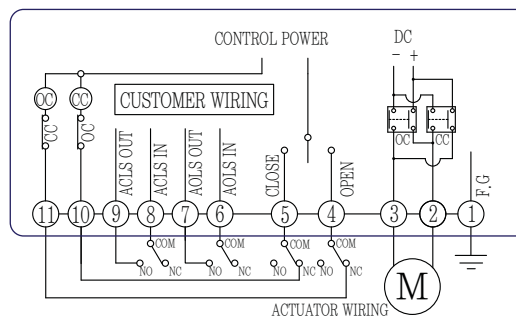
MODEL	MAX TORQUE (Nm)	OPERATING TIME 50Hz/60Hz(sec)	RATED CURRENT (A)			MOTOR CLASS/OUTPUT (AC·DC)	MANUAL TURNS
			AC (1PH) 50/60Hz		DC 24V		
			110V	220V			
KP010-5G	25	8 / 6.5	0.67/0.6	0.23/0.2	2	E·B/10W·10W	6
KP010-6G	60	18 / 15	0.67/0.6	0.23/0.2	2	E·B/10W·10W	6
KP010-7G	80	34 / 28	0.67/0.6	0.23/0.2	2	E·B/10W·10W	6
KP010-8G	100	42 / 35	0.67/0.6	0.23/0.2	2	E·B/10W·10W	6

## ► Drawing

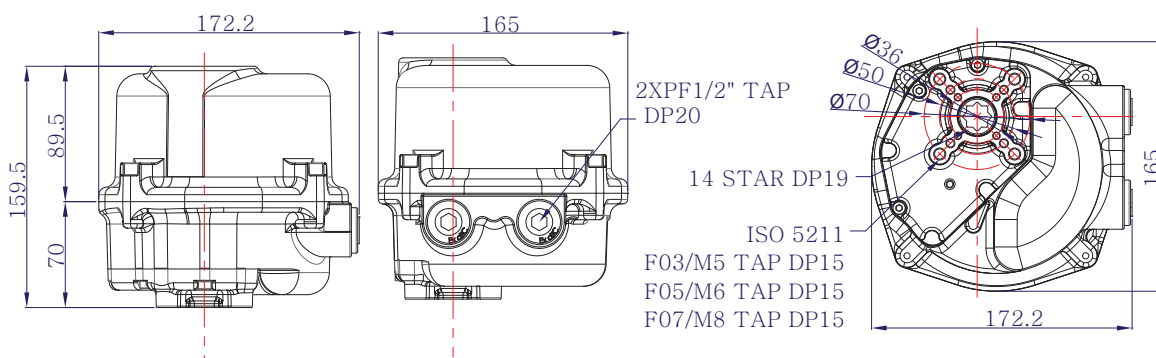
► AC 1PH



► DC 24V



## ► Dimension table



## ► ISO5211 & stem

	Standard	Option	Wt (Kg)
KE002	F03/05, 11*11		0.9
KE004	F03/05/07, 11*11	14*14	1.5
KE005	F03/05/07, 14*14	11*11	1.3
KE006	F03/05/07, 14*14		1.9
KE008	F03/05/07, 14*14	F05/07, 17*17	2.6
KE010	F05/07, 14*14	17*17	3.0
KE016	F05/07/10, 17*17		6.2
KE028	F07/10, 22*22	F07/10/12, 27*27	8.9
KE040	F07/10, 22*22	F07/10/12, 27*27	9.4
KE050	F07/10, 22*22	F07/10/12, 27*27	9.4
KE080	F10/12, 36*36	F10/14, 36*36	26.0
KE120	F10/12, 36*36	F10/14, 36*36	26.0
KP010	F03/05/07, 14*14		6.3

## ► Option table

Option	Description	Model											
		KE002	KE004	KE005	KE006	KE008	KE010	KE016	KE028	KE040	KE050	KE080	KE120
WT	Watertight (IP68 5m 120hr)	○	○	○	○	○	○	○	○	○	○	○	○
TS	Electric Torque switches							○	○	○	○	○	○
MC	Modulating Control (4~20mA)	1ph	○	○	○	○	○	○	○	○	○	○	○
SM	Modulating control (4~20mA,0~1V,2~10V,0~5V,1~5V)	1ph	○	○	○	○			○	○	○	○	○
		24v dc	○	○	○	○	○	○	○	○			
LC	Local Control (Electric torque switch included)	1ph							○	○	○	○	○
		3ph							○	○	○	○	○
LM	Local and Modulating control (Electric torque switch included)	1ph							○	○	○	○	○
		3ph							○	○	○	○	○
C2	24V DC Control board (2 Wire)	○	○		○								
C3	24V DC Control board (3 Wire)	○	○	Standard Included	○								
TP	Thermal Protect												(Only AC) Standard Included
HT	Heater			(Only AC) Standard Included									(Only AC) Standard Included
TH	Thermal protect and Heater	○	○		○								

**KOSA PLUS**

KOSAPLUS Co.,Ltd.

294, Gongdan2daero, Siheung, Gyeonggi, 15115, S.Korea (<http://www.kosaplus.com>)

· E-mail : [oversea@kosaplus.com](mailto:oversea@kosaplus.com) · Tel : +82-31-433-3159 / Fax : +82-31-433-3151

Catalog Version : 5.0 (Sep.2018)

- Data contained in the Catalog may be subject to change without advance notice for improvement of performance&safety of Product.

- Contact us for the most recent product and technical information. Visit our website for more details: <http://www.kosaplus.com>