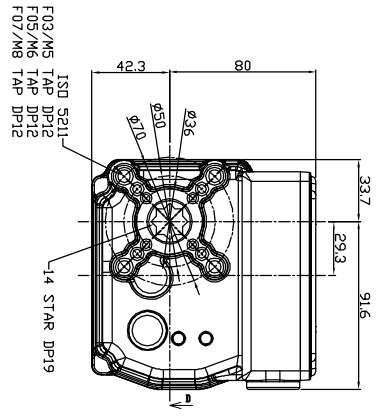
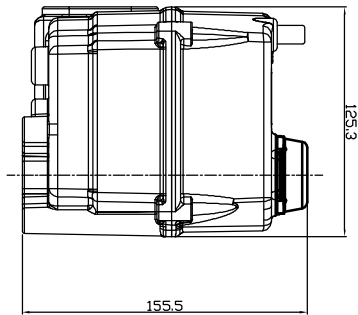
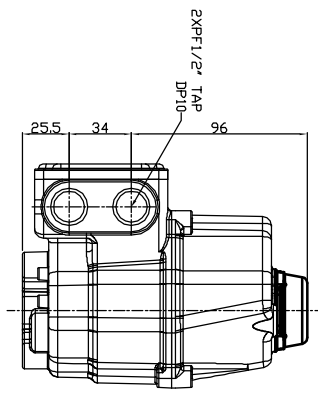
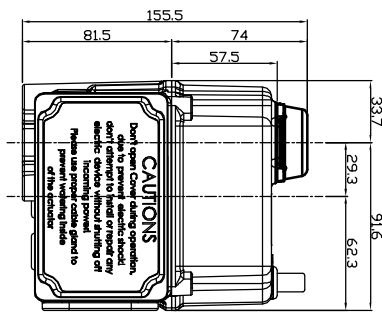
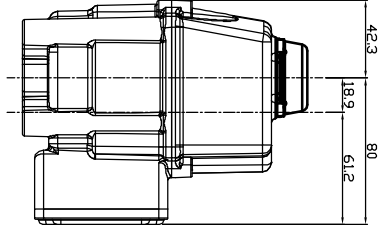
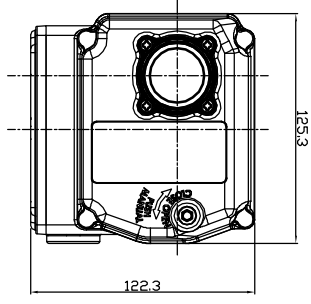


KE008 / 외형도

REV. NO.	REVISION DESCRIPTION	DRAWN / DATE	APPROVED / DATE
△	최초작성	노한기 / 131107	
△			



KOSAPLUS Co., Ltd	
KOSAPLUS	
TITLE	
KE008 Ver. 1 외형도	
DRAWING NO.	
KE008-0000	
REV.	
0	