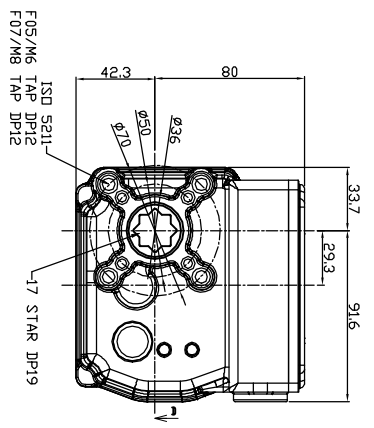
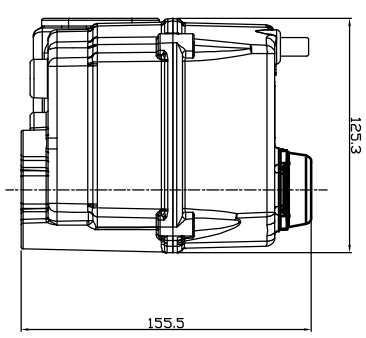
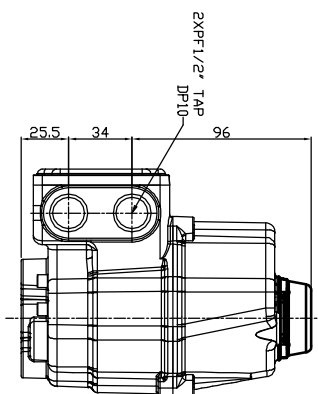
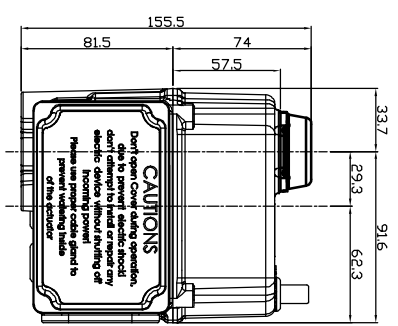
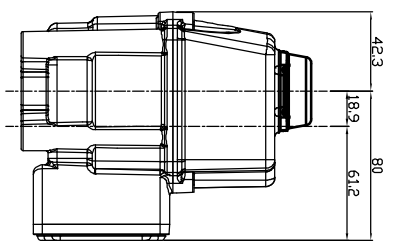
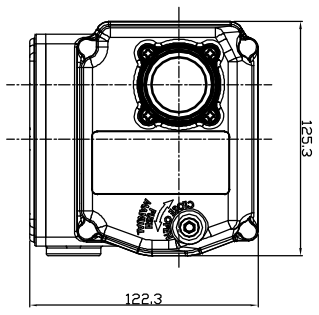


# KE008 / 외형도

REV. NO.	REVISION DESCRIPTION	DRAWN / DATE	APPROVED / DATE
△	최초작성	노환기/131107	
△			



KOSAPLUS Co., Ltd	
KOSAPLUS	
TITLE	
KE008 Ver.2 외형도	
DRAWING NO.	
KE008-0000	
REV.	0