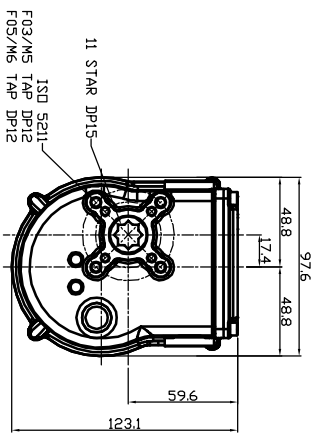
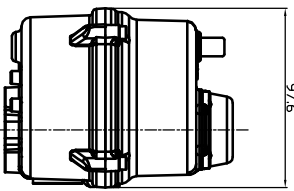
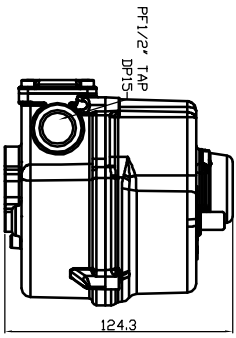
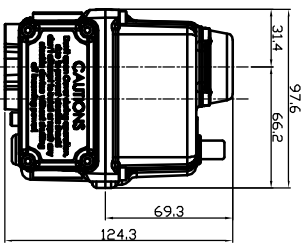
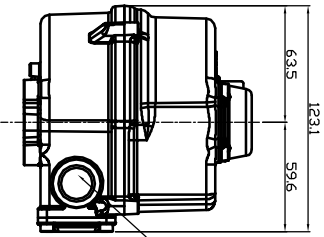
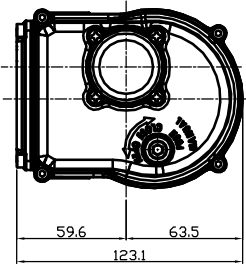


KE005 / 외형도

REV. NO.	REVISION DESCRIPTION	DRAWN / DATE	APPROVED / DATE
△	최초작성	노한기 / 130726	
△			



KOSAPLUS Co.,Ltd		
<small>KORSA</small>		
TITLE	KE005 Ver. 1 외형도	
DRAWING NO.	KE005-0000	REV. 0