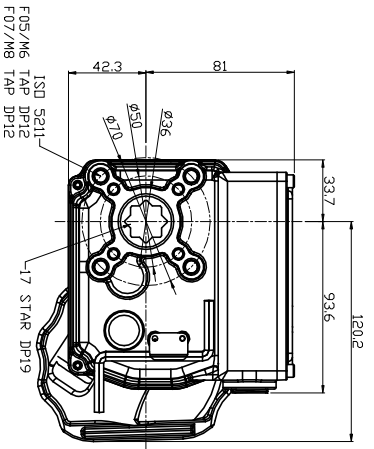
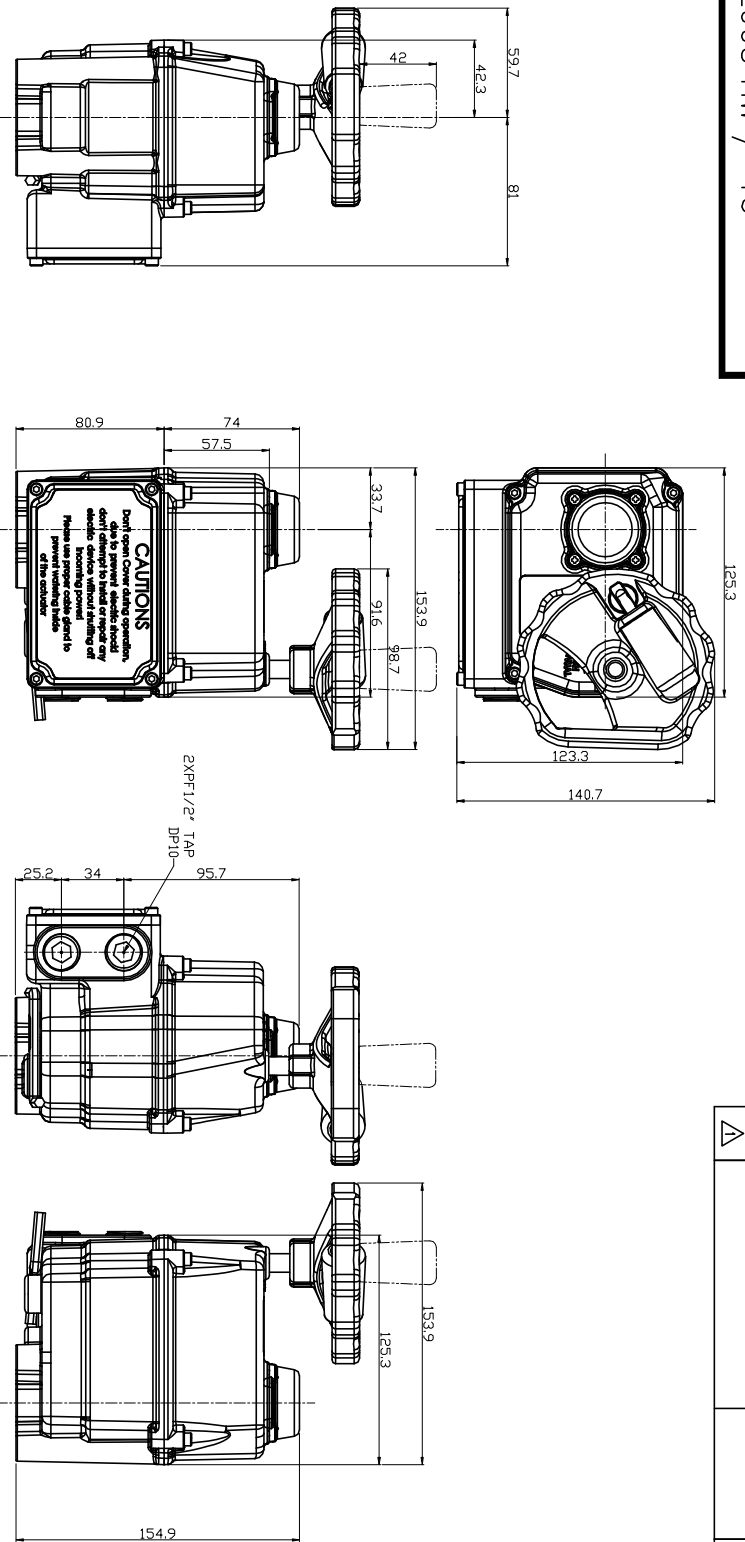


KE008 HW / 외형도

REV. NO.	REVISION DESCRIPTION	DRAWN / DATE	APPROVED / DATE
△	최초작성	노한기 / 220624	
△			



KOSAPLUS Co., Ltd	
KOSAPLUS	
TITLE	KE008 Ver.2 HW 외형도
DRAWING NO.	KE008-0000
REV.	0