


# Electric Actuator / Wiring / KE002, KE004, KE006

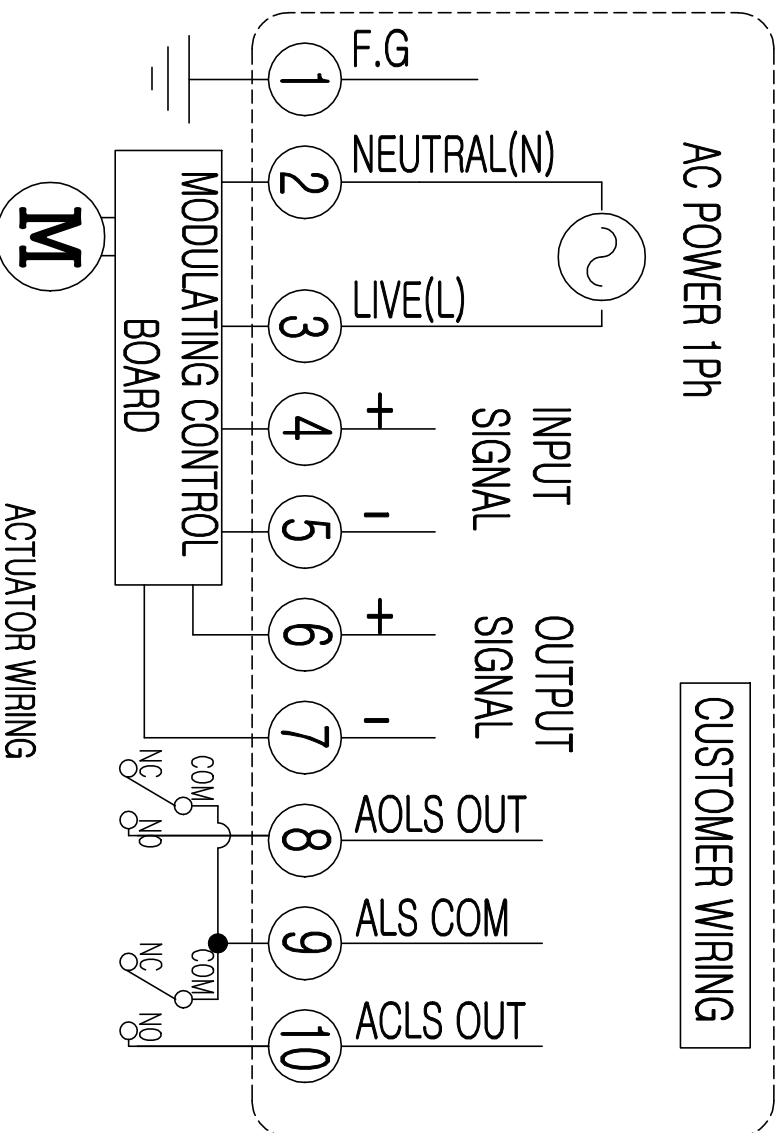
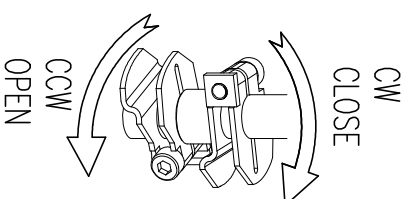
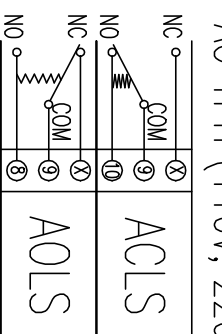
REV.No.	DRAWN / DATE	APPROVED / DATE
 Rocky / 16.10.21	PSKIM / 16.10.21	

## LIMIT SWITCH OPERATION

SWITCH	CLOSE	INTERMEDIATE	OPEN
CLS COM-NC	█	█	█
CLS COM-NO	█	█	█
ACLS COM-NC	█	█	█
ACLS COM-NO	█	█	█
OLS COM-NC	█	█	█
OLS COM-NO	█	█	█
AOLS COM-NC	█	█	█
AOLS COM-NO	█	█	█

## SWITCH WIRING (Position : FULL CLOSE)

AC 1PH (110V, 220V)



- CLS : CLOSE LIMIT SWITCH (250VAC , 30VDC 5A)
- OLS : OPEN LIMIT SWITCH (250VAC , 30VDC 5A)
- ACLS : AUX. CLOSE LIMIT SWITCH (250VAC , 30VDC 5A)
- AOLS : AUX. OPEN LIMIT SWITCH (250VAC , 30VDC 5A)

### CAUTION

EACH ACTUATOR SHOULD BE POWERED THROUGH IT'S OWN INDIVIDUAL SWITCH OR RELAY CONTACTS TO PREVENT CROSS FEED BETWEEN TWO OR MORE ACTUATOR.

PRODUCT NAME : **KOSAPLUS**  
 Electric Actuator <http://www.kosaplus.com>  
 TITLE : KE002, KE004, KE006 1Ph AC MC REV. 0