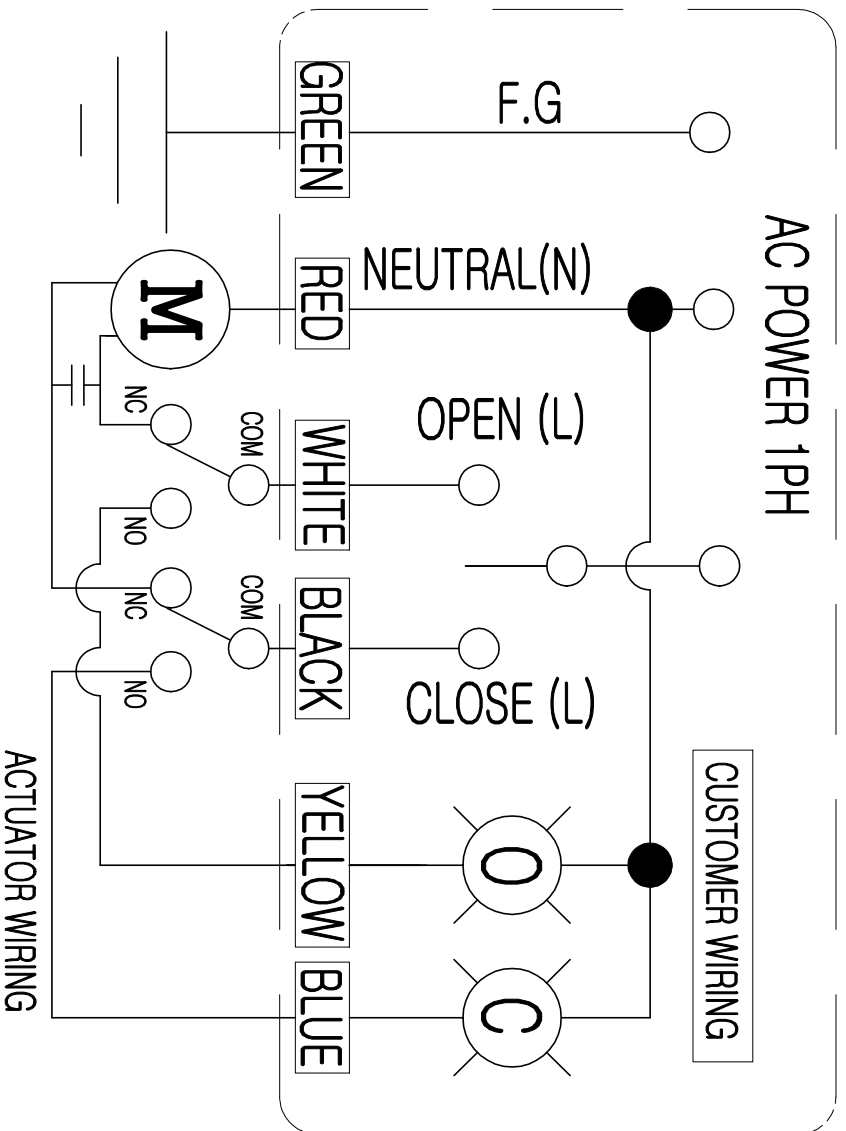


Electric Actuator / Wiring / KE001



CLS : CLOSE LIMIT SWITCH (250VAC , 30VDC 5A)
 OLS : OPEN LIMIT SWITCH (250VAC , 30VDC 5A)
 ACLS : AUX. CLOSE LIMIT SWITCH (250VAC , 30VDC 5A)
 AOLS : AUX. OPEN LIMIT SWITCH (250VAC , 30VDC 5A)

CAUTION

EACH ACTUATOR SHOULD BE POWERED THROUGH IT'S OWN INDIVIDUAL SWITCH OR RELAY CONTACTS TO PREVENT CROSS FEED BETWEEN TWO OR MORE ACTUATOR.

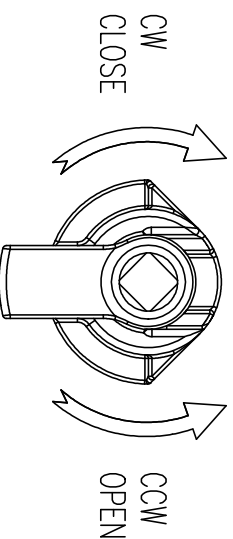
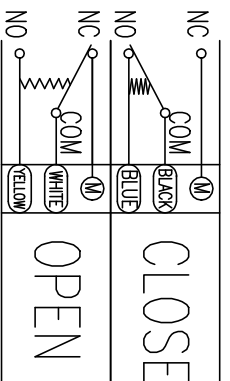
| REV.No. | DRAWN / DATE | APPROVED / DATE |
|---------|------------------|------------------|
| | Rocky / 20.05.14 | PSKIM / 20.05.14 |

LIMIT SWITCH OPERATION

| SWITCH | CLOSE | INTERMEDIATE | OPEN |
|------------|-------|--------------|------|
| CLS COM-NC | | | |
| CLS COM-NO | | | |
| OLS COM-NC | | | |
| OLS COM-NO | | | |

SWITCH WIRING (POSITION : FULL CLOSE)

AC 1PH (110V, 220V)



PRODUCT NAME : **KOSAPLUS**
 Electric Actuator <http://www.kosaplus.com>

TITLE :

KE001 1Ph AC ON/OFF

REV. 1