


Electric Actuator / Wiring / KE001

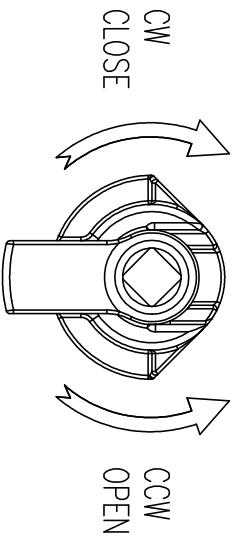
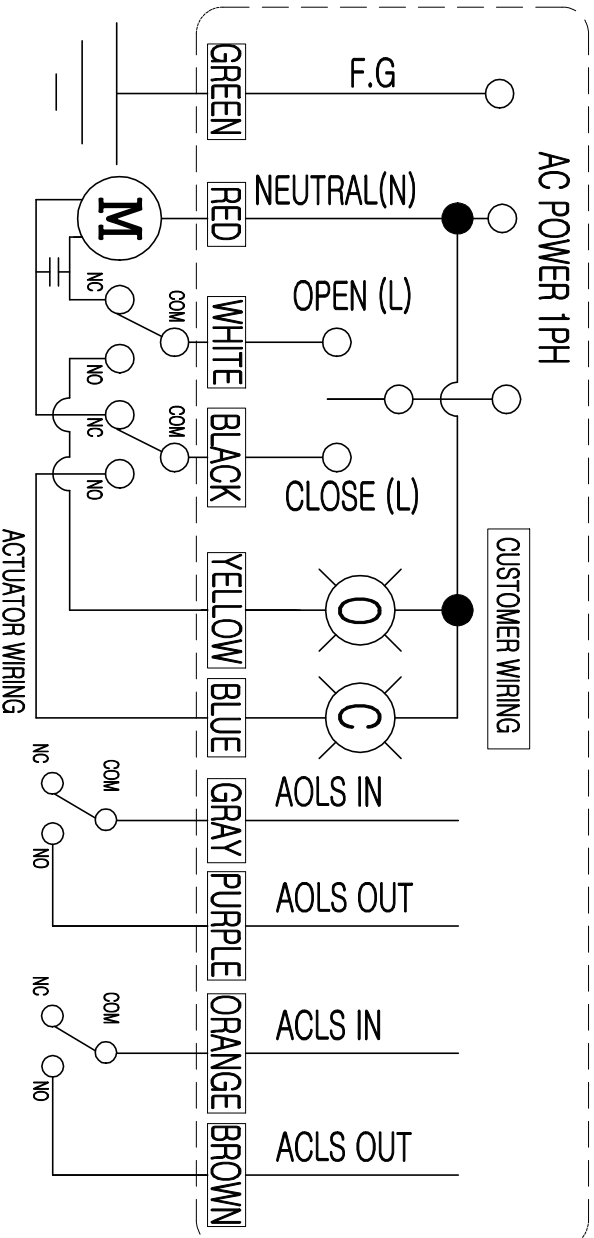
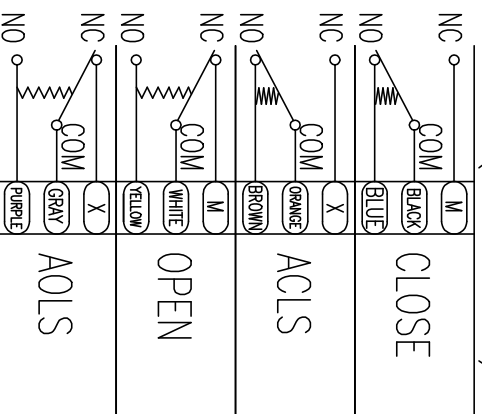
REV.No.	DRAWN / DATE	APPROVED / DATE
	Rocky / 20.09.17	PSKIM / 20.09.17

LIMIT SWITCH OPERATION

SWITCH	CLOSE	INTERMEDIATE	OPEN
CLS COM-NC	█		
OLS COM-NO		█	
ACLS COM-NC	█		
ACLS COM-NO		█	
OLS COM-NC	█		
OLS COM-NO		█	
AOLS COM-NC	█		
AOLS COM-NO		█	

SWITCH WIRING (POSITION : FULL CLOSE)

AC 1PH (110V, 220V)



CLS : CLOSE LIMIT SWITCH (250VAC , 30VDC 5A)
 OLS : OPEN LIMIT SWITCH (250VAC , 30VDC 5A)
 ACLS : AUX. CLOSE LIMIT SWITCH (250VAC , 30VDC 5A)
 AOLS : AUX. OPEN LIMIT SWITCH (250VAC , 30VDC 5A)

CAUTION

EACH ACTUATOR SHOULD BE POWERED THROUGH IT'S OWN INDIVIDUAL SWITCH OR RELAY CONTACTS TO PREVENT CROSS FEED BETWEEN TWO OR MORE ACTUATOR.

PRODUCT NAME :

Electric Actuator

KOSAPLUS
<http://www.kosaplus.com>

TITLE :

KE001 1Ph AC ALS ON/OFF

REV. 0