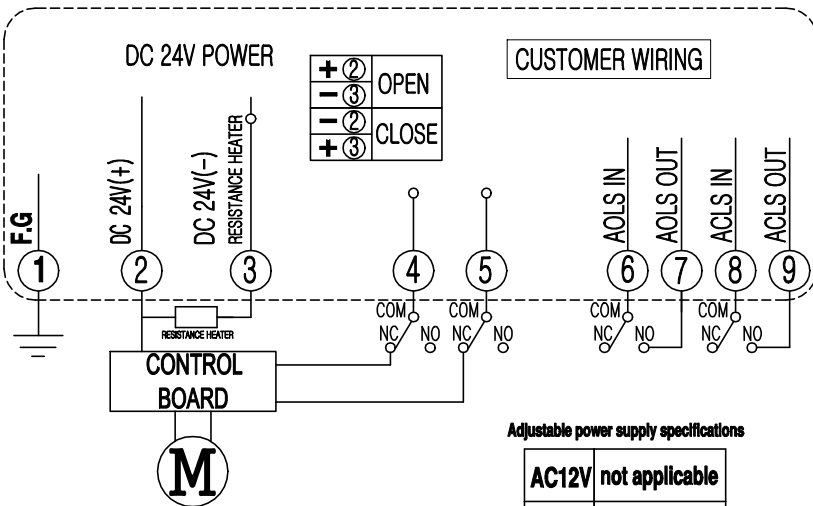


# Electric Actuator / Wiring / KE005

REV.No.	DRAWN / DATE	APPROVED / DATE
Rocky / 23.04.03	PSKIM / 23.04.03	



Adjustable power supply specifications

AC12V	not applicable
AC24V	not applicable
DC POWER without concerning polarity	applicable

CLS : CLOSE LIMIT SWITCH (250VAC , 30VDC 5A)  
 OLS : OPEN LIMIT SWITCH (250VAC , 30VDC 5A)  
 ACLS : AUX. CLOSE LIMIT SWITCH (250VAC , 30VDC 5A)  
 AOLS : AUX. OPEN LIMIT SWITCH (250VAC , 30VDC 5A)

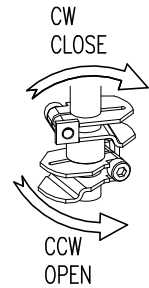
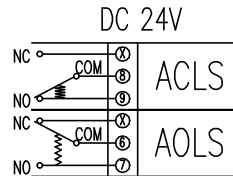
### CAUTION

EACH ACTUATOR SHOULD BE POWERED THROUGH IT'S OWN INDIVIDUAL SWITCH OR RELAY CONTACTS TO PREVENT CROSS FEED BETWEEN TWO OR MORE ACTUATOR.

### LIMIT SWITCH OPERATION

SWITCH	CLOSE	← INTERMEDIATE →	OPEN
CLS COM-NC	█		
CLS COM-NO		█	
ACLS COM-NC	█		
ACLS COM-NO		█	
OLS COM-NC	█		
OLS COM-NO		█	
AOLS COM-NC	█		
AOLS COM-NO		█	

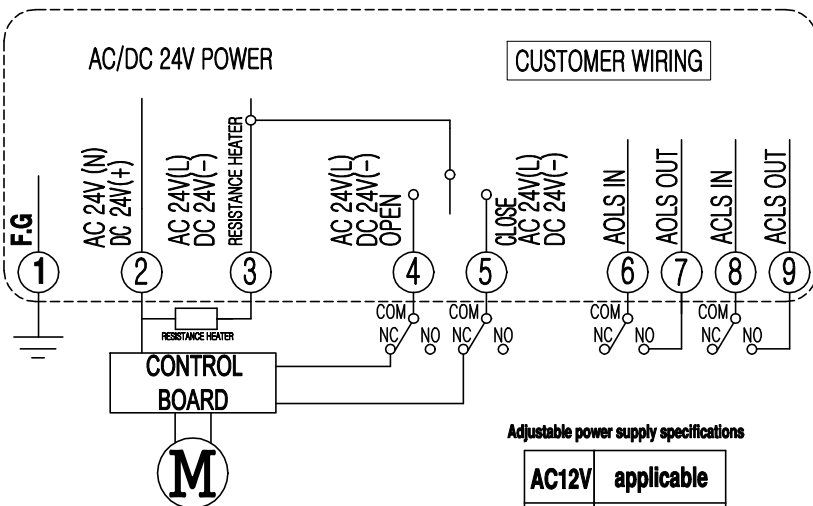
### SWITCH WIRING (POSITION : FULL CLOSE)



PRODUCT NAME :	<b>KOSAPLUS</b>	
Electric Actuator	<a href="http://www.kosaplus.com">http://www.kosaplus.com</a>	
TITLE :	KE005 CB2 ON/OFF	
		REV. 0

# Electric Actuator / Wiring / KE005

REV.No.	DRAWN / DATE	APPROVED / DATE
Rocky / 23.04.03	PSKIM / 23.04.03	



Adjustable power supply specifications

AC12V	applicable
AC24V	applicable
DC POWER without concerning polarity	applicable

CLS : CLOSE LIMIT SWITCH (250VAC , 30VDC 5A)  
 OLS : OPEN LIMIT SWITCH (250VAC , 30VDC 5A)  
 ACLS : AUX. CLOSE LIMIT SWITCH (250VAC , 30VDC 5A)  
 AOLS : AUX. OPEN LIMIT SWITCH (250VAC , 30VDC 5A)

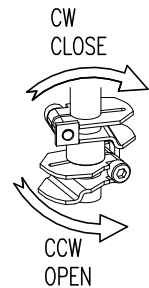
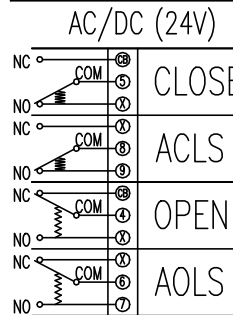
### CAUTION

EACH ACTUATOR SHOULD BE POWERED THROUGH IT'S OWN INDIVIDUAL SWITCH OR RELAY CONTACTS TO PREVENT CROSS FEED BETWEEN TWO OR MORE ACTUATOR.

### LIMIT SWITCH OPERATION

SWITCH	CLOSE	← INTERMEDIATE →	OPEN
CLS COM-NC	█		
CLS COM-NO		█	
ACLS COM-NC	█		
ACLS COM-NO		█	
OLS COM-NC	█		
OLS COM-NO		█	
AOLS COM-NC	█		
AOLS COM-NO		█	

### SWITCH WIRING (POSITION : FULL CLOSE)



PRODUCT NAME :	<b>KOSAPLUS</b>	
Electric Actuator	<a href="http://www.kosaplus.com">http://www.kosaplus.com</a>	
TITLE :	KE005 CB3 ON/OFF	
		REV. 0