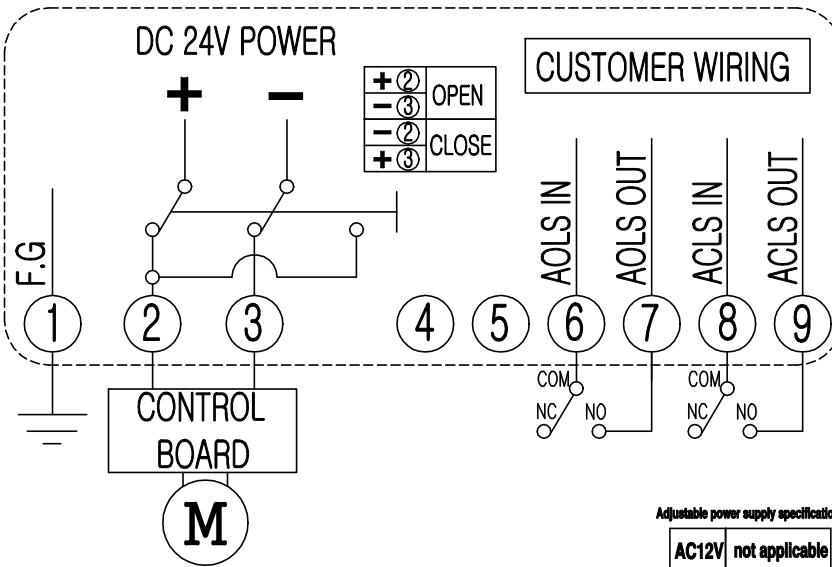


Electric Actuator / Wiring / KE010

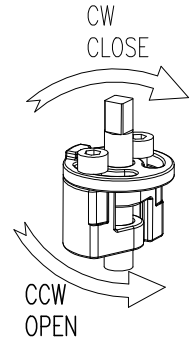
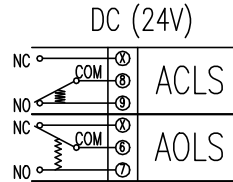
REV.No.	DRAWN / DATE	APPROVED / DATE
△	Rocky / 23.11.03	PSKIM / 23.11.03



LIMIT SWITCH OPERATION

SWITCH	CLOSE	← INTERMEDIATE →	OPEN
CLS COM-NC	█		
CLS COM-NO		█	
ACLS COM-NC	█		
ACLS COM-NO		█	
OLS COM-NC	█		
OLS COM-NO		█	
AOLS COM-NC	█		
AOLS COM-NO		█	

SWITCH WIRING (POSITION : FULL CLOSE)



Adjustable power supply specifications

AC12V	not applicable
AC24V	not applicable
DC POWER (adjustable supply)	applicable

CLS : CLOSE LIMIT SWITCH (250VAC , 30VDC 5A)
 OLS : OPEN LIMIT SWITCH (250VAC , 30VDC 5A)
 ACLS : AUX. CLOSE LIMIT SWITCH (250VAC , 30VDC 5A)
 AOLS : AUX. OPEN LIMIT SWITCH (250VAC , 30VDC 5A)

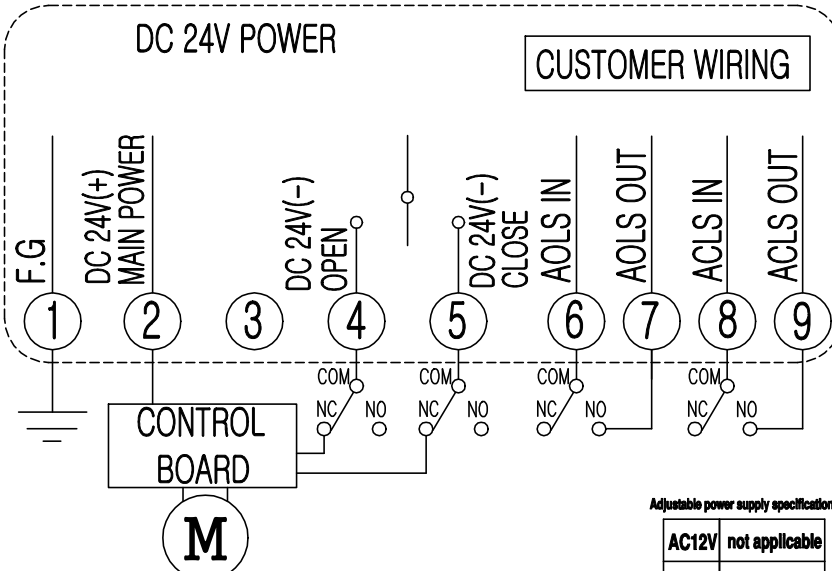
CAUTION

EACH ACTUATOR SHOULD BE POWERED THROUGH IT'S OWN INDIVIDUAL SWITCH OR RELAY CONTACTS TO PREVENT CROSS FEED BETWEEN TWO OR MORE ACTUATOR.

PRODUCT NAME :	KOSAPLUS
Electric Actuator	http://www.kosaplus.com
TITLE :	KE010 CB2 ON/OFF
	REV. 0

Electric Actuator / Wiring / KE010

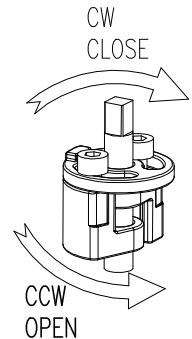
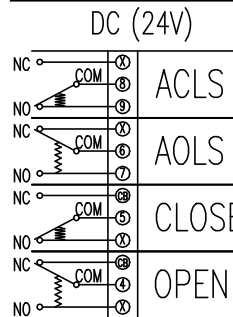
REV.No.	DRAWN / DATE	APPROVED / DATE
△	Rocky / 23.11.03	PSKIM / 23.11.03



LIMIT SWITCH OPERATION

SWITCH	CLOSE	← INTERMEDIATE →	OPEN
CLS COM-NC	█		
CLS COM-NO		█	
ACLS COM-NC	█		
ACLS COM-NO		█	
OLS COM-NC	█		
OLS COM-NO		█	
AOLS COM-NC	█		
AOLS COM-NO		█	

SWITCH WIRING (POSITION : FULL CLOSE)



Adjustable power supply specifications

AC12V	not applicable
AC24V	applicable
DC POWER (adjustable supply)	applicable

CLS : CLOSE LIMIT SWITCH (250VAC , 30VDC 5A)
 OLS : OPEN LIMIT SWITCH (250VAC , 30VDC 5A)
 ACLS : AUX. CLOSE LIMIT SWITCH (250VAC , 30VDC 5A)
 AOLS : AUX. OPEN LIMIT SWITCH (250VAC , 30VDC 5A)

CAUTION

EACH ACTUATOR SHOULD BE POWERED THROUGH IT'S OWN INDIVIDUAL SWITCH OR RELAY CONTACTS TO PREVENT CROSS FEED BETWEEN TWO OR MORE ACTUATOR.

PRODUCT NAME :	KOSAPLUS
Electric Actuator	http://www.kosaplus.com
TITLE :	KE010 CB3 ON/OFF
	REV. 0