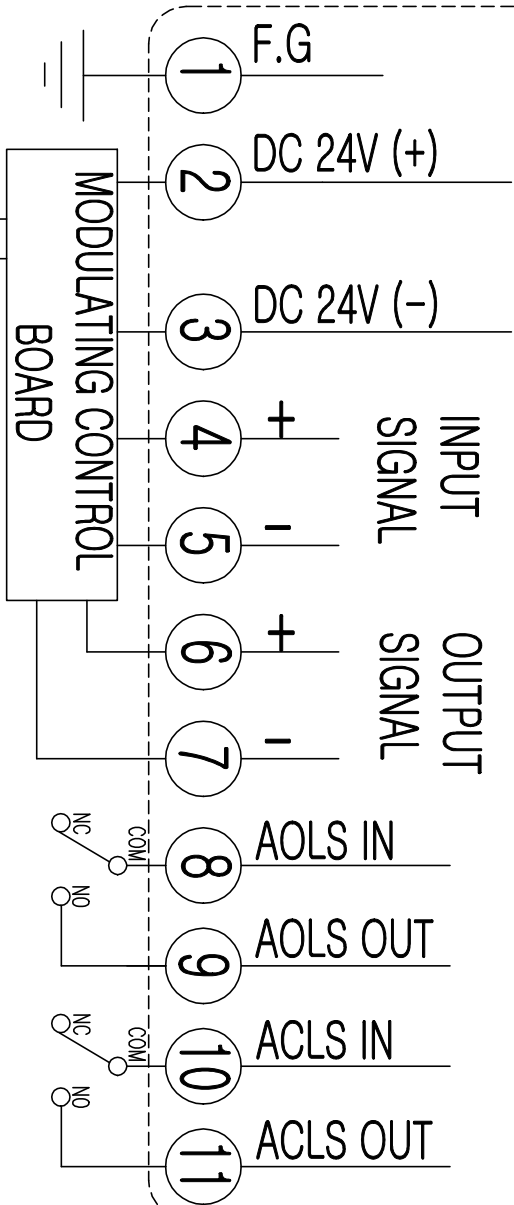


Electric Actuator / Wiring / KE010~KE040

DC POWER

CUSTOMER WIRING



ACTUATOR WIRING

CLS : CLOSE LIMIT SWITCH (250VAC , 30VDC 5A)
 OLS : OPEN LIMIT SWITCH (250VAC , 30VDC 5A)
 ACLS : AUX. CLOSE LIMIT SWITCH (250VAC , 30VDC 5A)
 AOLS : AUX. OPEN LIMIT SWITCH (250VAC , 30VDC 5A)

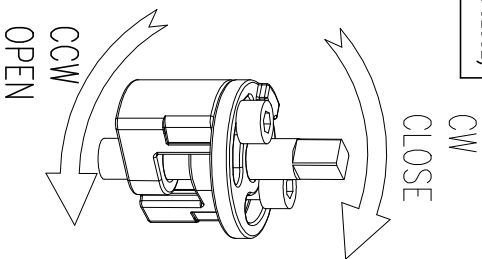
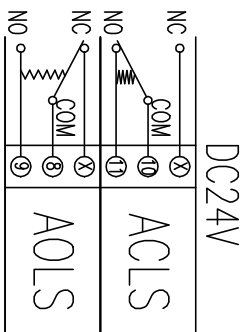
Adjustable power supply specifications

AC12V	not applicable
AC24V	applicable
DC POWER adjustable power supply	applicable

LIMIT SWITCH OPERATION

SWITCH	CLOSE	INTERMEDIATE	OPEN
CLS COM-NC	█	█	█
CLS COM-NO	█	█	█
ACLS COM-NC	█	█	█
ACLS COM-NO	█	█	█
OLS COM-NC	█	█	█
OLS COM-NO	█	█	█
AOLS COM-NC	█	█	█
AOLS COM-NO	█	█	█

SWITCH WIRING (POSITION : FULL CLOSE)



CAUTION
 EACH ACTUATOR SHOULD BE POWERED THROUGH IT'S OWN INDIVIDUAL SWITCH OR RELAY CONTACTS TO PREVENT CROSS FEED BETWEEN TWO OR MORE ACTUATOR.

REV.No.	DRAWN / DATE	APPROVED / DATE
△ Rocky / 23.04.05	Rocky / 23.04.05	Rocky / 23.04.05

PRODUCT NAME : **KOSAPLUS**
 Electric Actuator <http://www.kosaplus.com>
 TITLE : KE010 ~ KE040 DC24V SMC
 REV. 1