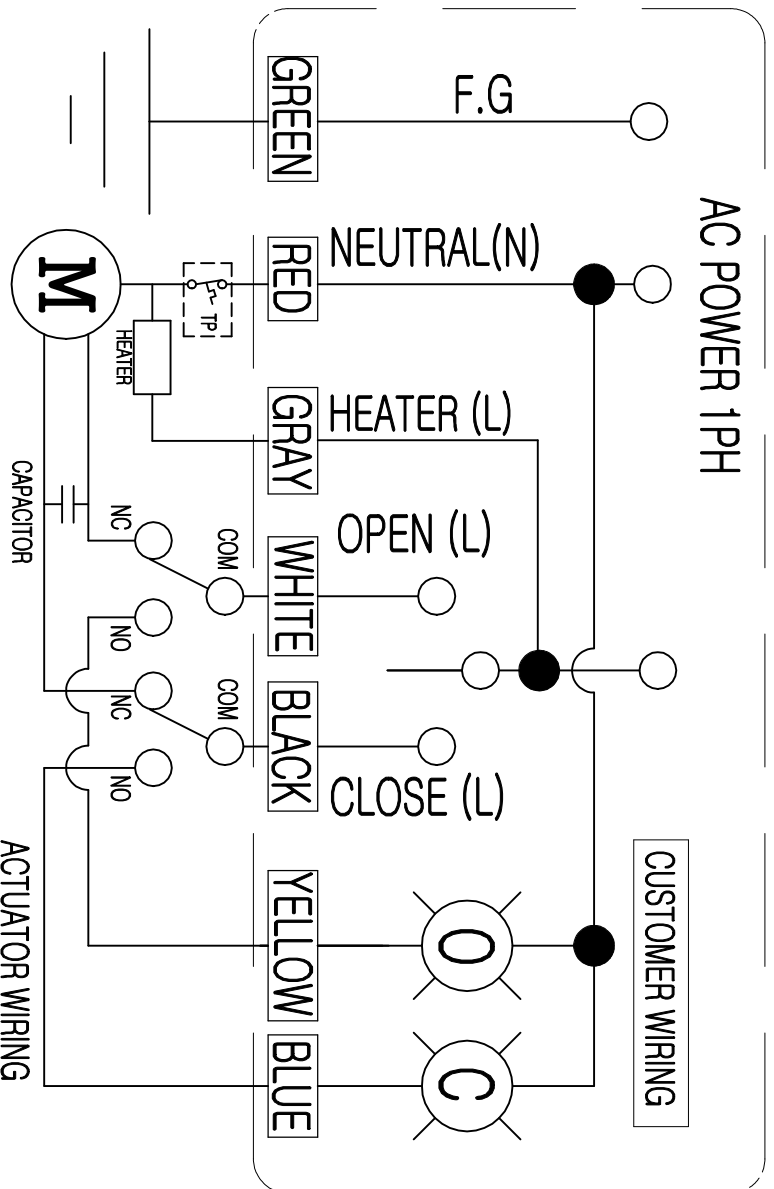


Electric Actuator / Wiring / KE002



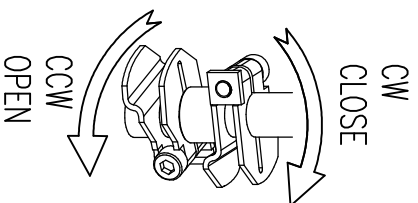
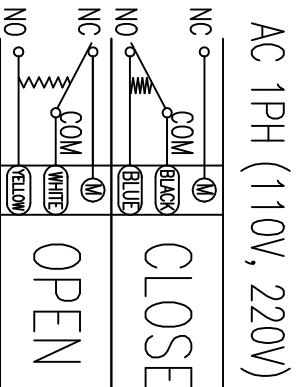
- CIS : CLOSE LIMIT SWITCH (250VAC , 30VDC 5A)
- OLS : OPEN LIMIT SWITCH (250VAC , 30VDC 5A)
- ACTS : AUX. CLOSE LIMIT SWITCH (250VAC , 30VDC 5A)
- AOTS : AUX. OPEN LIMIT SWITCH (250VAC , 30VDC 5A)

CAUTION
 EACH ACTUATOR SHOULD BE POWERED THROUGH IT'S OWN INDIVIDUAL SWITCH OR RELAY CONTACTS TO PREVENT CROSS FEED BETWEEN TWO OR MORE ACTUATOR.

LIMIT SWITCH OPERATION

SWITCH	CLOSE	INTERMEDIATE	OPEN
CLS COM-NC		█	
CLS COM-NO	█		
OLS COM-NC		█	
OLS COM-NO	█		

SWITCH WIRING (POSITION : FULL CLOSE)



REV.No.	DRAWN / DATE	APPROVED / DATE
1	Rocky / 16.10.21	PSKIM / 16.10.21

PRODUCT NAME : **KOSAPLUS**
 Electric Actuator
<http://www.kosaplus.com>

TITLE : **KE002 1Ph AC TP ON/OFF** REV. 0