


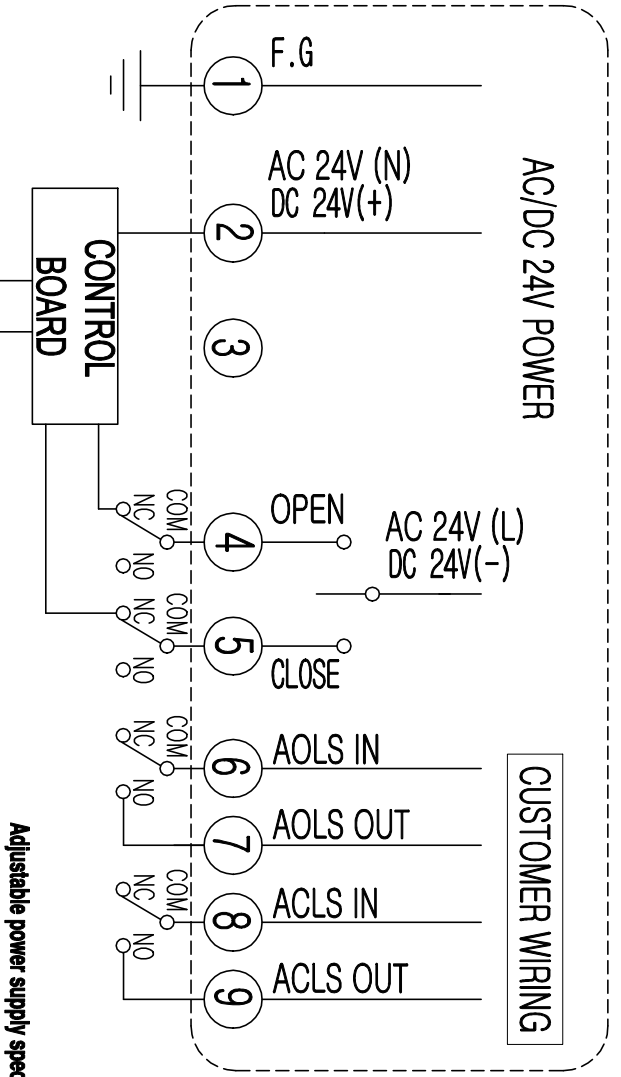
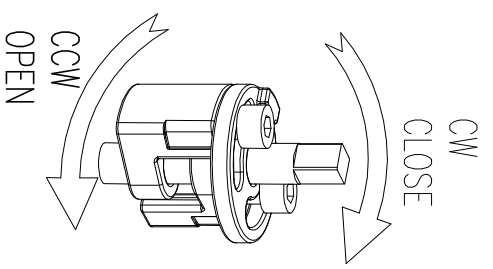
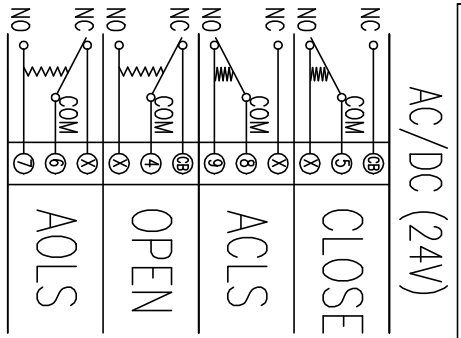
Electric Actuator / Wiring / KE010~KE040

REV.No.	DRAWN / DATE	APPROVED / DATE
 Rocky / 23.04.05	PSKIM / 23.04.05	

LIMIT SWITCH OPERATION

SWITCH	CLOSE	INTERMEDIATE	OPEN
CLS COM-NC	█		
CLS COM-NO		█	
ACLS COM-NC	█		
ACLS COM-NO		█	
OLS COM-NC	█		
OLS COM-NO		█	
AOLS COM-NC	█		
AOLS COM-NO		█	

SWITCH WIRING (Position : FULL CLOSE)



Adjustable power supply specifications

AC12V	not applicable
AC24V	applicable
DC POWER without concerning polarity	applicable

- CLS : CLOSE LIMIT SWITCH (250VAC , 30VDC 5A)
- OLS : OPEN LIMIT SWITCH (250VAC , 30VDC 5A)
- ACLS : AUX. CLOSE LIMIT SWITCH (250VAC , 30VDC 5A)
- AOLS : AUX. OPEN LIMIT SWITCH (250VAC , 30VDC 5A)

CAUTION

EACH ACTUATOR SHOULD BE POWERED THROUGH IT'S OWN INDIVIDUAL SWITCH OR RELAY CONTACTS TO PREVENT CROSS FEED BETWEEN TWO OR MORE ACTUATOR.

PRODUCT NAME : **KOSAPLUS**
 Electric Actuator <http://www.kosaplus.com>

TITLE : KE010~KE040 AC/DC24V ON/OFF

REV. 1