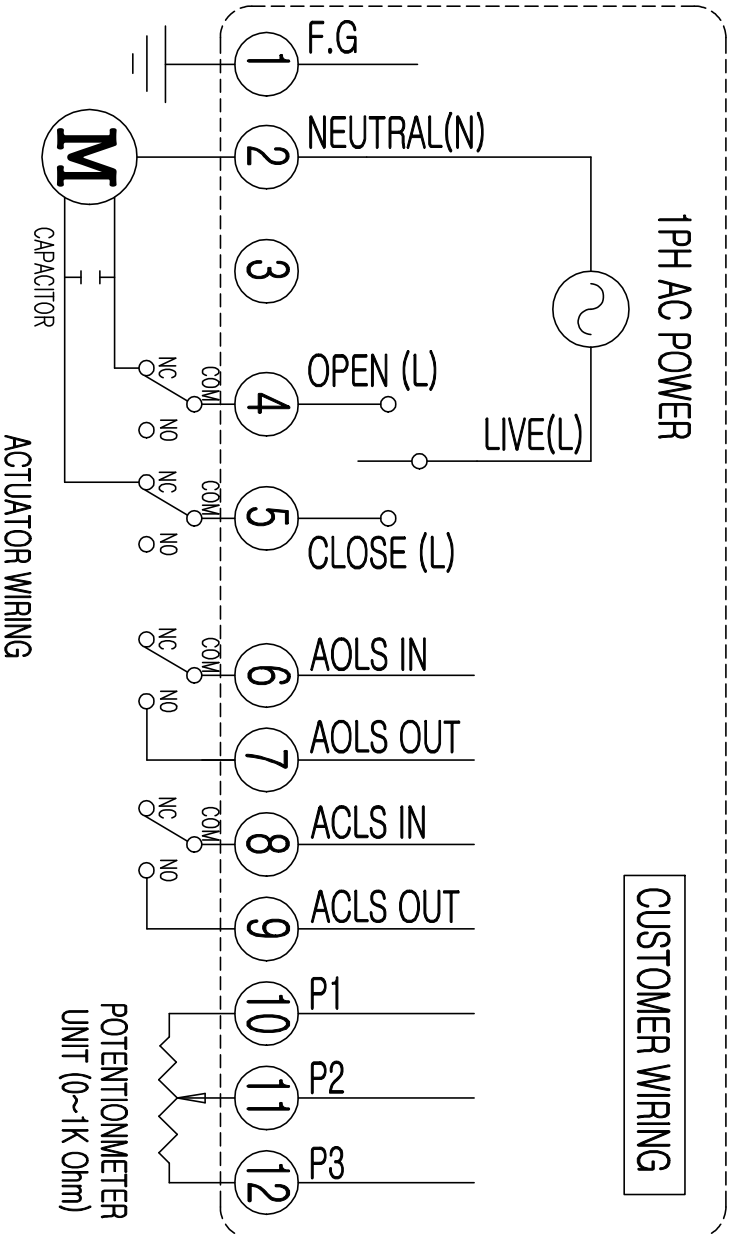


Electric Actuator / Wiring / KE004,KE006



CIS : CLOSE LIMIT SWITCH (250VAC , 30VDC 5A)
 OLS : OPEN LIMIT SWITCH (250VAC , 30VDC 5A)
 ACLS : AUX. CLOSE LIMIT SWITCH (250VAC , 30VDC 5A)
 AOLS : AUX. OPEN LIMIT SWITCH (250VAC , 30VDC 5A)

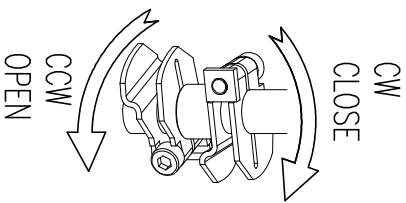
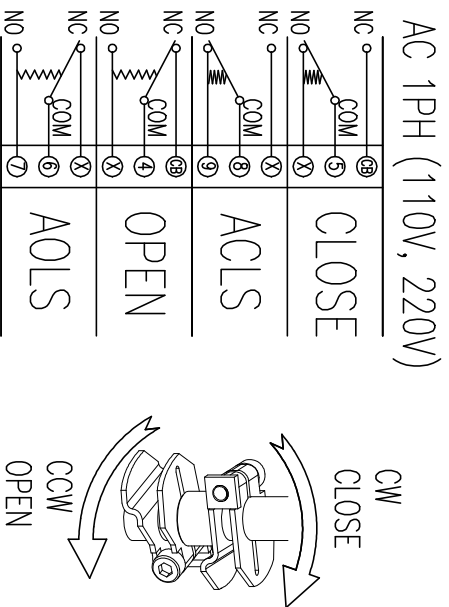
CAUTION

EACH ACTUATOR SHOULD BE POWERED THROUGH IT'S OWN INDIVIDUAL SWITCH OR RELAY CONTACTS TO PREVENT CROSS FEED BETWEEN TWO OR MORE ACTUATOR.

LIMIT SWITCH OPERATION

SWITCH	CLOSE	INTERMEDIATE	OPEN
OLS COM-NC	█	█	█
OLS COM-NO	█	█	█
ACLS COM-NC	█	█	█
ACLS COM-NO	█	█	█
OLS COM-NC	█	█	█
OLS COM-NO	█	█	█
AOLS COM-NC	█	█	█
AOLS COM-NO	█	█	█

SWITCH WIRING (Position : FULL CLOSE)



REV.No.	DRAWN / DATE	APPROVED / DATE
Rocky / 16.10.21	PSKIM / 16.10.21	

PRODUCT NAME :
 Electric Actuator

KOSAPLUS
<http://www.kosaplus.com>

TITLE :

KE004,KE006 1Ph AC PU

REV. 0