
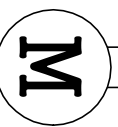
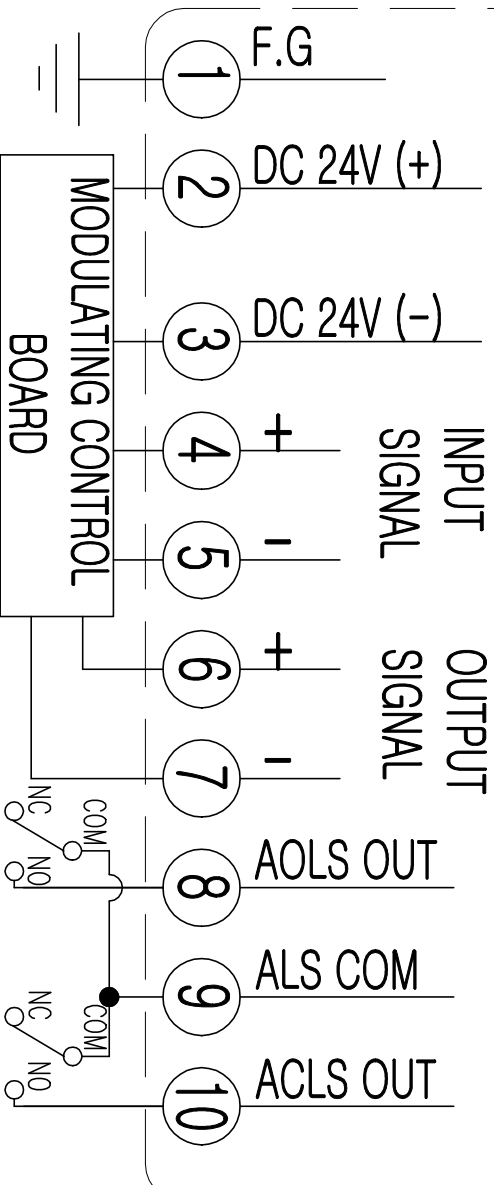


# Electric Actuator / Wiring / KE002,KE004,KE006

REV.No.	DRAWN / DATE	APPROVED / DATE
 Rocky / 23.04.05	PSKIM / 23.04.05	

## DC 24V POWER

## CUSTOMER WIRING



## ACTUATOR WIRING

CUS : CLOSE LIMIT SWITCH (250VAC , 30VDC 5A)  
 OLS : OPEN LIMIT SWITCH (250VAC , 30VDC 5A)  
 ACLS : AUX. CLOSE LIMIT SWITCH (250VAC , 30VDC 5A)  
 AOLS : AUX. OPEN LIMIT SWITCH (250VAC , 30VDC 5A)

Adjustable power supply specifications

AC12V	not applicable
AC24V	not applicable
not support connecting power	not applicable



## CAUTION

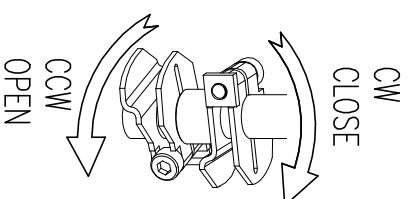
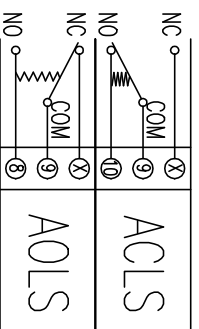
EACH ACTUATOR SHOULD BE POWERED THROUGH IT'S OWN INDIVIDUAL SWITCH OR RELAY CONTACTS TO PREVENT CROSS FEED BETWEEN TWO OR MORE ACTUATOR.

## LIMIT SWITCH OPERATION

SWITCH	CLOSE	INTERMEDIATE	OPEN
OLS COM-NC	█	█	█
OLS COM-NO	█	█	█
ACLS COM-NC	█	█	█
ACLS COM-NO	█	█	█
OLS COM-NC	█	█	█
OLS COM-NO	█	█	█
AOLS COM-NC	█	█	█
AOLS COM-NO	█	█	█

## SWITCH WIRING (POSITION : FULL CLOSE)

DC (24V)



**PRODUCT NAME :**  
 Electric Actuator

**KOSAPLUS**  
<http://www.kosaplus.com>

**TITLE :**

KE002,KE004,KE006 DC24V SMC

REV. 1