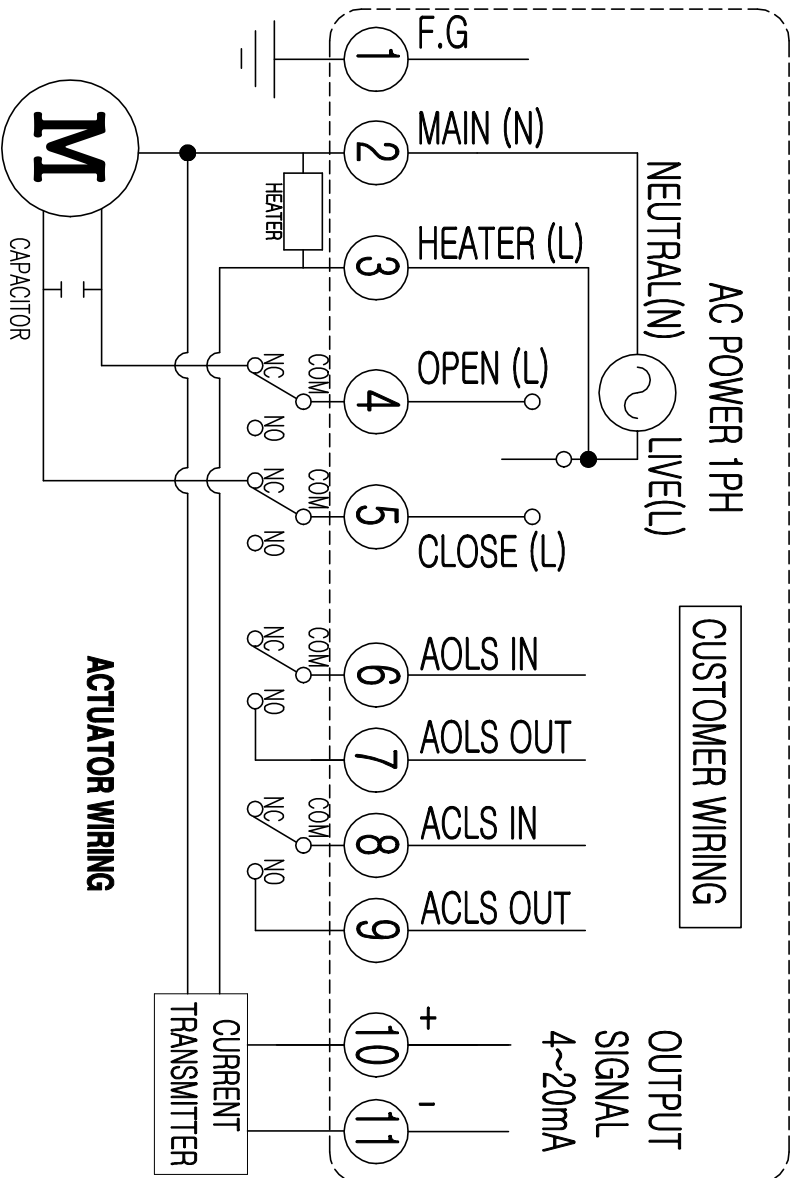


Electric Actuator / Wiring / KE010



- CLS : CLOSE LIMIT SWITCH (250VAC 16A , 250VDC 0.3A)
- OLS : OPEN LIMIT SWITCH (250VAC 16A , 250VDC 0.3A)
- ACLS : AUX. CLOSE LIMIT SWITCH (250VAC 16A , 250VDC 0.3A)
- AOLS : AUX. OPEN LIMIT SWITCH (250VAC 16A , 250VDC 0.3A)

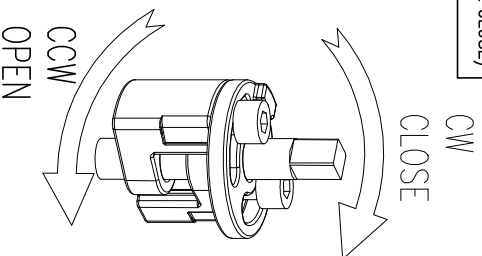
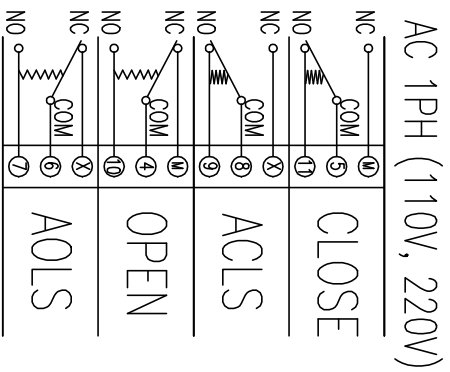
CAUTION

EACH ACTUATOR SHOULD BE POWERED THROUGH IT'S OWN INDIVIDUAL SWITCH OR RELAY CONTACTS TO PREVENT CROSS FEED BETWEEN TWO OR MORE ACTUATOR.

LIMIT SWITCH OPERATION

SWITCH	CLOSE	INTERMEDIATE	OPEN
CLS COM-NC	█	█	█
OLS COM-NO	█	█	█
ACLS COM-NC	█	█	█
ACLS COM-NO	█	█	█
OLS COM-NC	█	█	█
OLS COM-NO	█	█	█
AOLS COM-NC	█	█	█
AOLS COM-NO	█	█	█

SWITCH WIRING (Position : FULL CLOSE)



PRODUCT NAME :
Electric Actuator

KOSAPLUS
<http://www.kosaplus.com>

TITLE :

KE010 1Ph AC CT

REV. 0

REV.No.	DRAWN / DATE	APPROVED / DATE
△	Rocky / 16.10.21	PSKIM / 16.10.21