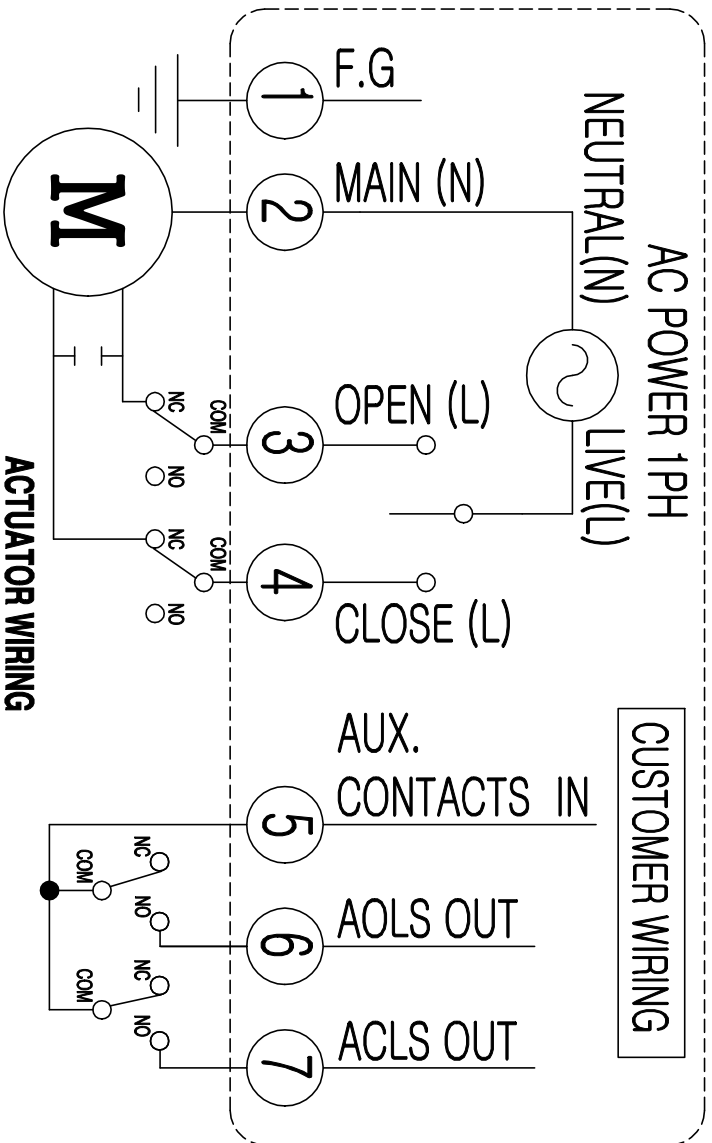


# Electric Actuator / Wiring / KE010~KE120



CLS : CLOSE LIMIT SWITCH (250VAC 16A , 250VDC 0.3A)  
 OLS : OPEN LIMIT SWITCH (250VAC 16A , 250VDC 0.3A)  
 ACLS : AUX. CLOSE LIMIT SWITCH (250VAC 16A , 250VDC 0.3A)  
 AOLS : AUX. OPEN LIMIT SWITCH (250VAC 16A , 250VDC 0.3A)

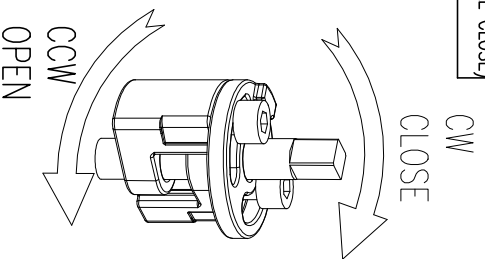
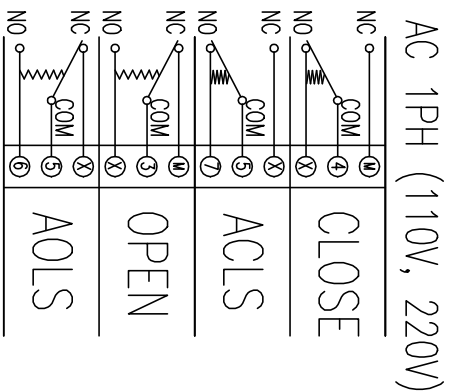
**CAUTION**

EACH ACTUATOR SHOULD BE POWERED THROUGH IT'S OWN INDIVIDUAL SWITCH OR RELAY CONTACTS TO PREVENT CROSS FEED BETWEEN TWO OR MORE ACTUATOR.

## LIMIT SWITCH OPERATION

SWITCH	CLOSE	INTERMEDIATE	OPEN
CLS COM-NC	█	█	█
CLS COM-NO	█	█	█
ACLS COM-NC	█	█	█
ACLS COM-NO	█	█	█
OLS COM-NC	█	█	█
OLS COM-NO	█	█	█
AOLS COM-NC	█	█	█
AOLS COM-NO	█	█	█

## SWITCH WIRING (POSITION : FULL CLOSE)



REV.No.	DRAWN / DATE	APPROVED / DATE
△	Rocky / 21.01.22	PSKIM / 21.01.22

**PRODUCT NAME :** **KOSAPLUS**  
 Electric Actuator <http://www.kosaplus.com>  
**TITLE :** KE010~KE120 1Ph AC ON/OFF 7ST  
**REV. 0**