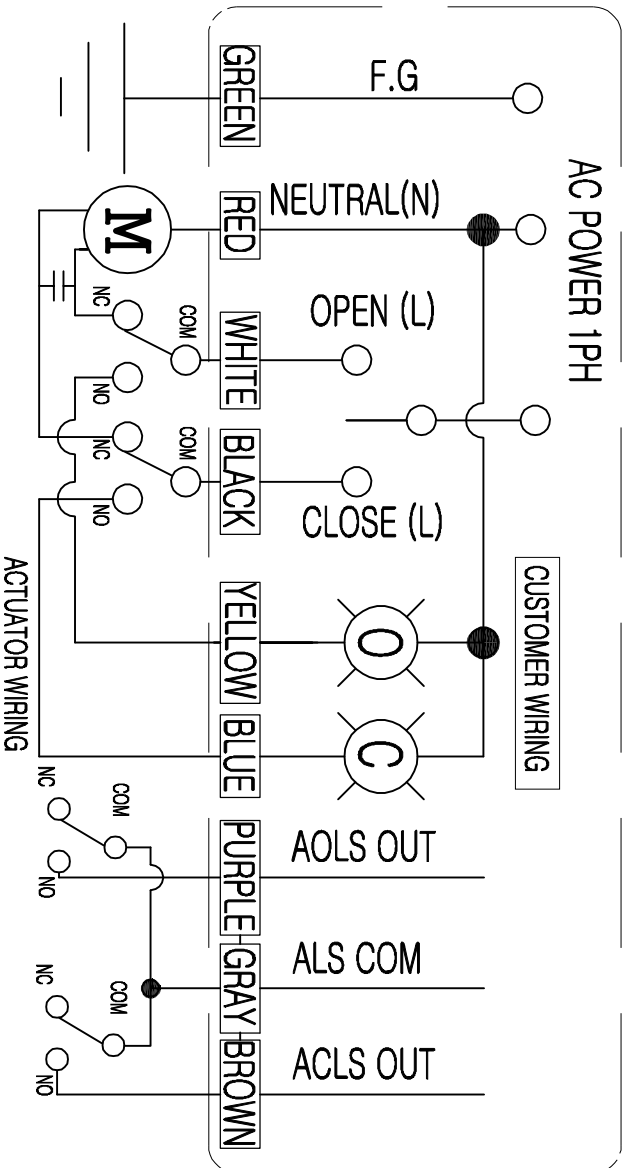


# Electric Actuator / Wiring / KE002



CLS : CLOSE LIMIT SWITCH (250VAC, 30VDC 5A)  
 OLS : OPEN LIMIT SWITCH (250VAC, 30VDC 5A)  
 ACLS : AUX. CLOSE LIMIT SWITCH (250VAC, 30VDC 5A)  
 AOLS : AUX. OPEN LIMIT SWITCH (250VAC, 30VDC 5A)

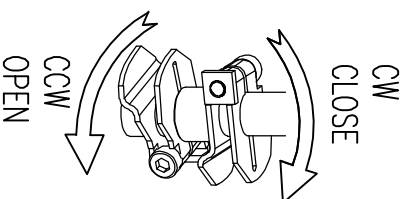
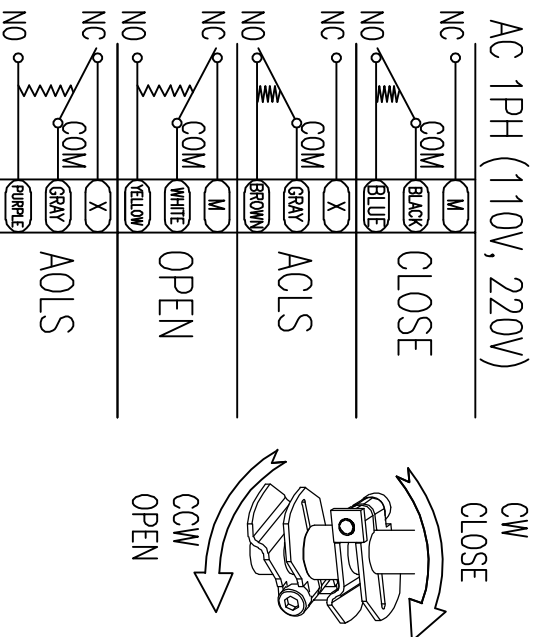
**CAUTION**

EACH ACTUATOR SHOULD BE POWERED THROUGH IT'S OWN INDIVIDUAL SWITCH OR RELAY CONTACTS TO PREVENT CROSS FEED BETWEEN TWO OR MORE ACTUATOR.

## LIMIT SWITCH OPERATION

SWITCH	CLOSE	INTERMEDIATE	OPEN
CLS COM-NC	█		
OLS COM-NO			█
ACLS COM-NC	█		
ACLS COM-NO			█
OLS COM-NC	█		
OLS COM-NO			█
AOLS COM-NC	█		
AOLS COM-NO			█

## SWITCH WIRING (POSITION : FULL CLOSE)



REV. No.	DRAWN / DATE	APPROVED / DATE
△	Rocky / 16.10.21	PSKIM / 16.10.21

PRODUCT NAME : **KOSAPLUS**  
 Electric Actuator <http://www.kosaplus.com>

TITLE : **KE002 1Ph AC ALS ON/OFF** REV. 0