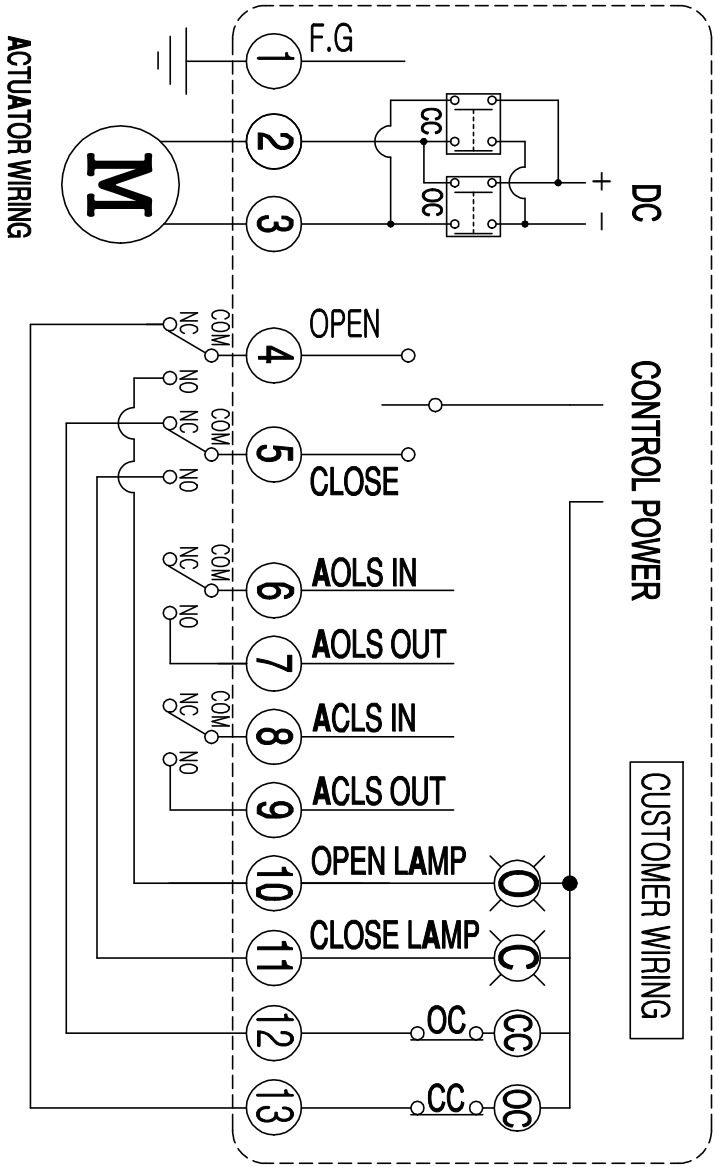
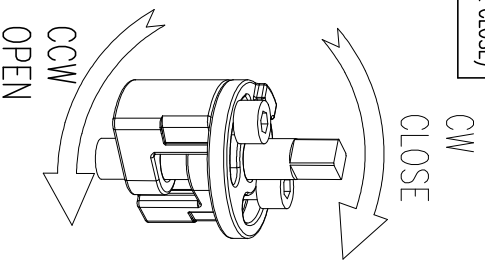
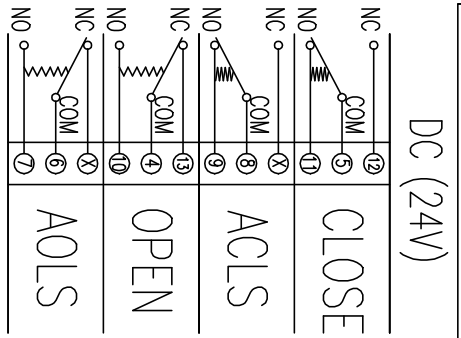


Electric Actuator / Wiring / KE010~KE040

LIMIT SWITCH OPERATION

SWITCH	CLOSE	INTERMEDIATE	OPEN
CLS COM-NC	█	█	█
CLS COM-NO	█	█	█
ACLS COM-NC	█	█	█
ACLS COM-NO	█	█	█
OLS COM-NC	█	█	█
OLS COM-NO	█	█	█
AOLS COM-NC	█	█	█
AOLS COM-NO	█	█	█

SWITCH WIRING (Position : FULL CLOSE)



- CLS : CLOSE LIMIT SWITCH (250VAC 16A , 250VDC 0.3A)
- OLS : OPEN LIMIT SWITCH (250VAC 16A , 250VDC 0.3A)
- ACLS : AUX. CLOSE LIMIT SWITCH (250VAC 16A , 250VDC 0.3A)
- AOLS : AUX. OPEN LIMIT SWITCH (250VAC 16A , 250VDC 0.3A)

CAUTION

EACH ACTUATOR SHOULD BE POWERED THROUGH IT'S OWN INDIVIDUAL SWITCH OR RELAY CONTACTS TO PREVENT CROSS FEED BETWEEN TWO OR MORE ACTUATOR.

REV.No.	DRAWN / DATE	APPROVED / DATE
△	Rocky / 16.10.21	PSKIM / 16.10.21

PRODUCT NAME : **KOSAPLUS**
 Electric Actuator <http://www.kosaplus.com>

TITLE : KE010~KE040 DC24V ON/OFF

REV. 0