


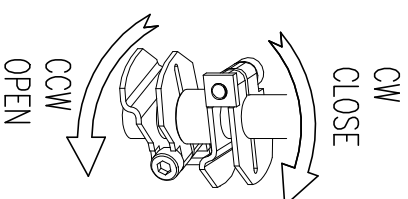
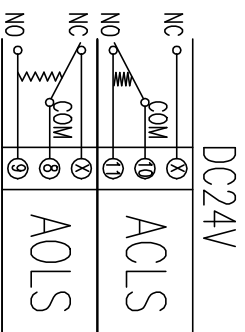
Electric Actuator / Wiring / KE008

REV.No.	DRAWN / DATE	APPROVED / DATE
 Rocky / 23.04.05	Rocky / 23.04.05	Rocky / 23.04.05

LIMIT SWITCH OPERATION

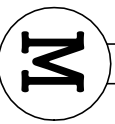
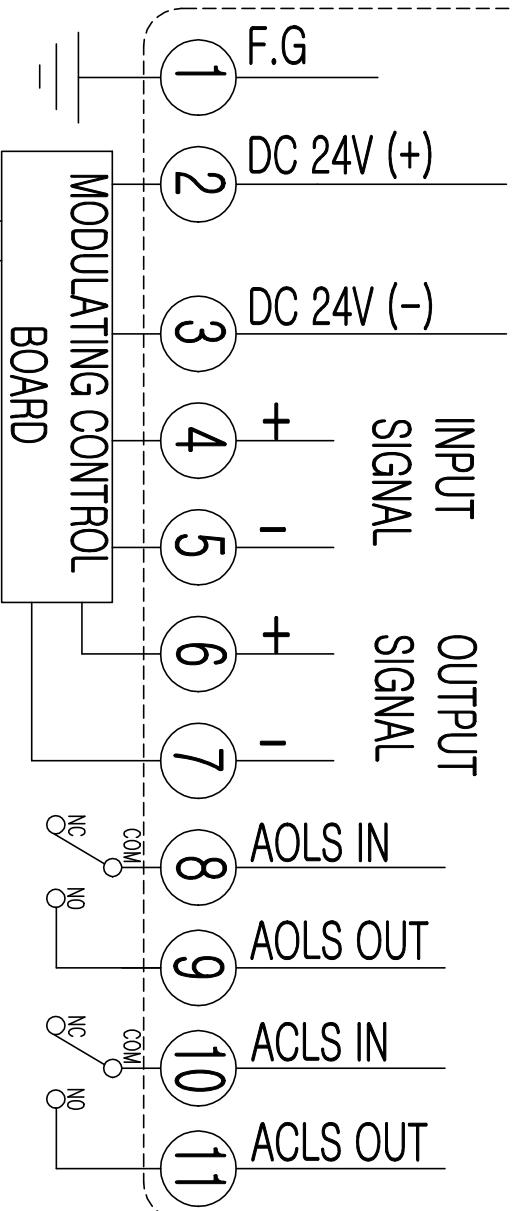
SWITCH	CLOSE	INTERMEDIATE	OPEN
OLS COM-NC	█	█	█
OLS COM-NO	█	█	█
ACLS COM-NC	█	█	█
ACLS COM-NO	█	█	█
OLS COM-NC	█	█	█
OLS COM-NO	█	█	█
AOLS COM-NC	█	█	█
AOLS COM-NO	█	█	█

SWITCH WIRING (POSITION : FULL CLOSE)



DC POWER

CUSTOMER WIRING



ACTUATOR WIRING

OLS : CLOSE LIMIT SWITCH (250VAC , 30VDC 5A)
 OLS : OPEN LIMIT SWITCH (250VAC , 30VDC 5A)
 ACLS : AUX. CLOSE LIMIT SWITCH (250VAC , 30VDC 5A)
 ACLS : AUX. OPEN LIMIT SWITCH (250VAC , 30VDC 5A)

Adjustable power supply specifications

AC12V	not applicable
AC24V	applicable
DC POWER (adjustable power)	applicable



CAUTION
EACH ACTUATOR SHOULD BE POWERED THROUGH IT'S OWN INDIVIDUAL SWITCH OR RELAY CONTACTS TO PREVENT CROSS FEED BETWEEN TWO OR MORE ACTUATOR.

PRODUCT NAME :

Electric Actuator

KOSAPLUS
<http://www.kosaplus.com>

TITLE :

KE008 DC24V SMC

REV. 1