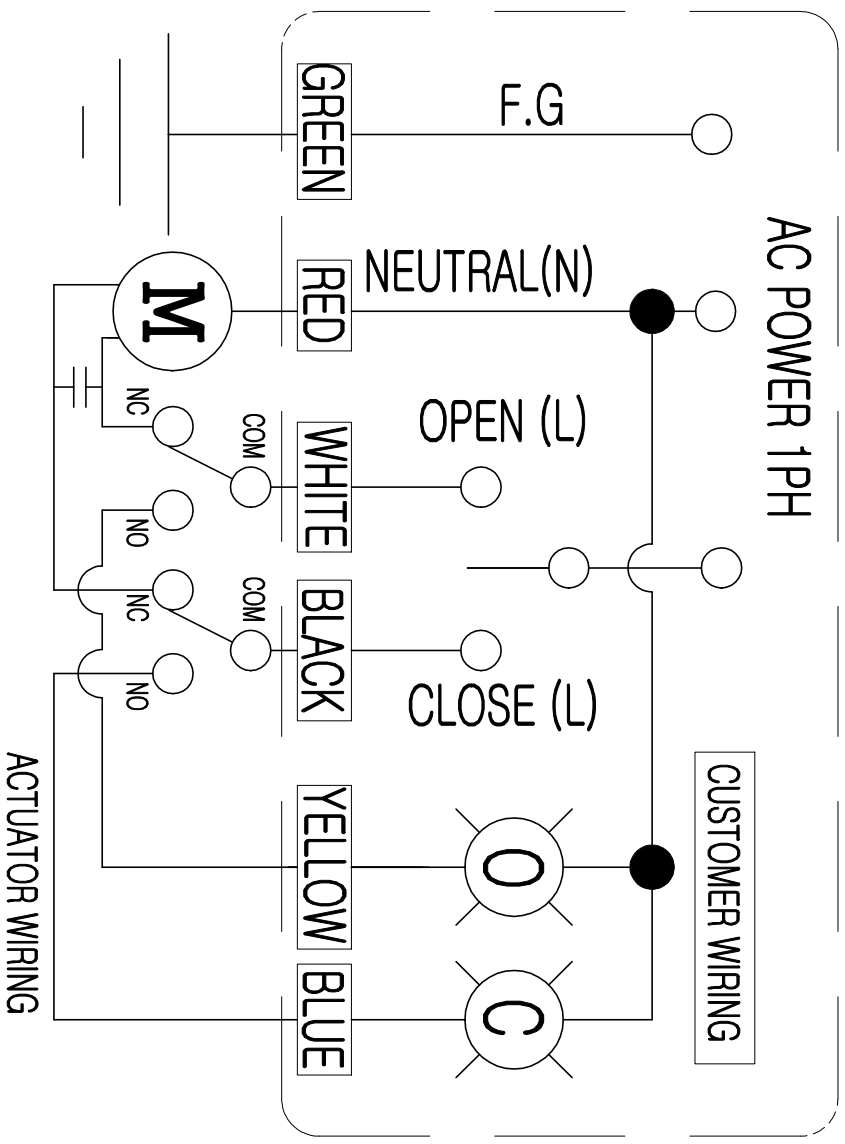


Electric Actuator / Wiring / KE002



CLS : CLOSE LIMIT SWITCH (250VAC , 30VDC 5A)
 OLS : OPEN LIMIT SWITCH (250VAC , 30VDC 5A)
 ACLS : AUX. CLOSE LIMIT SWITCH (250VAC , 30VDC 5A)
 AOLS : AUX. OPEN LIMIT SWITCH (250VAC , 30VDC 5A)

CAUTION

EACH ACTUATOR SHOULD BE POWERED THROUGH IT'S OWN INDIVIDUAL SWITCH OR RELAY CONTACTS TO PREVENT CROSS FEED BETWEEN TWO OR MORE ACTUATOR.

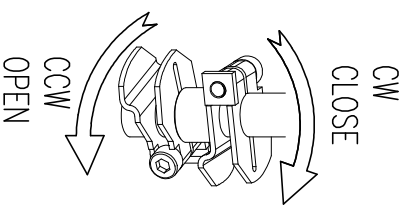
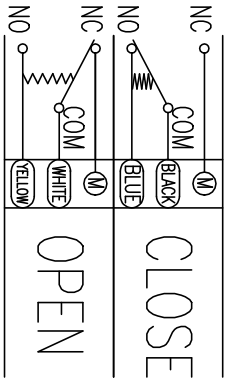
REV.No.	DRAWN / DATE	APPROVED / DATE
	Rocky / 20.05.14	PSKIM / 20.05.14

LIMIT SWITCH OPERATION

SWITCH	CLOSE	INTERMEDIATE	OPEN
CLS COM-NC		█	
CLS COM-NO	█		
OLS COM-NC	█		
OLS COM-NO			█

SWITCH WIRING (POSITION : FULL CLOSE)

AC 1PH (110V, 220V)



PRODUCT NAME : **KOSAPLUS**
 Electric Actuator <http://www.kosaplus.com>

TITLE : **KE002 1Ph AC ON/OFF** REV. 1