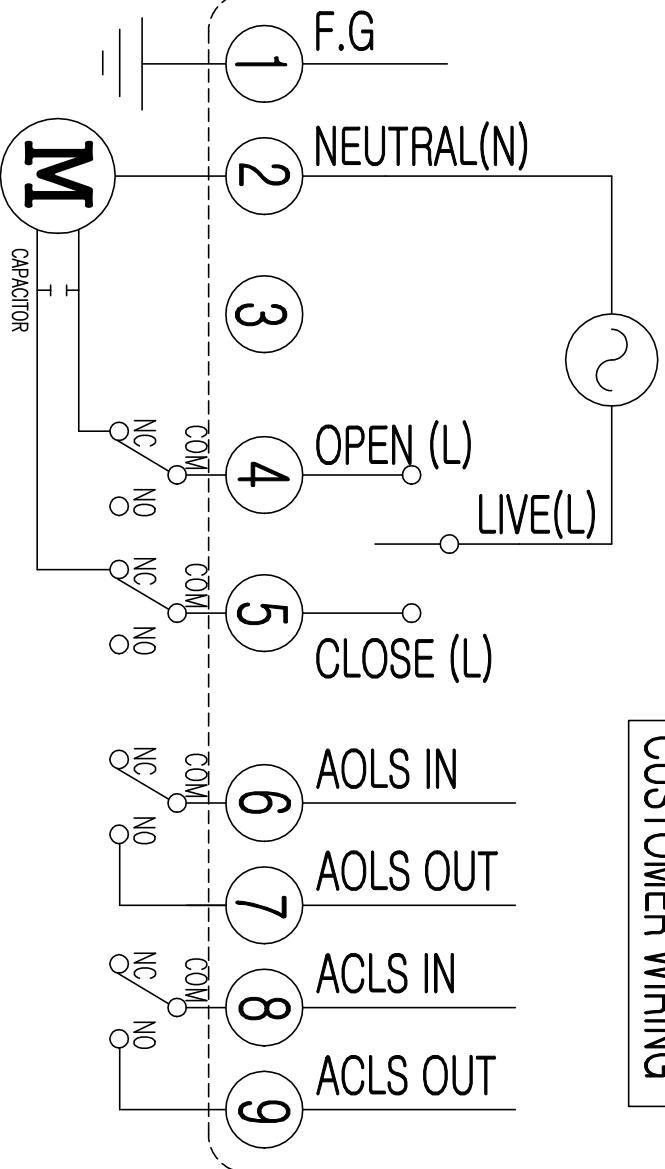


# Electric Actuator / Wiring / KE004,KE006

1PH AC POWER

CUSTOMER WIRING



ACTUATOR WIRING

- CLS : CLOSE LIMIT SWITCH (250VAC , 30VDC 5A)
- OLS : OPEN LIMIT SWITCH (250VAC , 30VDC 5A)
- ACLS : AUX. CLOSE LIMIT SWITCH (250VAC , 30VDC 5A)
- AOLS : AUX. OPEN LIMIT SWITCH (250VAC , 30VDC 5A)

**CAUTION**

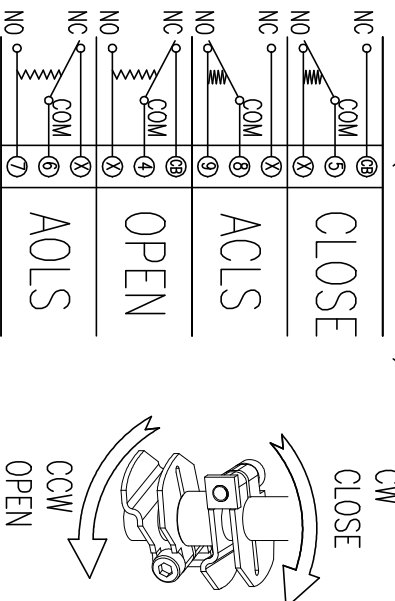
EACH ACTUATOR SHOULD BE POWERED THROUGH IT'S OWN INDIVIDUAL SWITCH OR RELAY CONTACTS TO PREVENT CROSS FEED BETWEEN TWO OR MORE ACTUATOR.

## LIMIT SWITCH OPERATION

SWITCH	CLOSE	INTERMEDIATE	OPEN
CLS COM-NC	█	█	█
OLS COM-NO	█	█	█
ACLS COM-NC	█	█	█
ACLS COM-NO	█	█	█
OLS COM-NC	█	█	█
OLS COM-NO	█	█	█
AOLS COM-NC	█	█	█
AOLS COM-NO	█	█	█

## SWITCH WIRING (Position : FULL CLOSE)

AC 1PH (110V, 220V)



PRODUCT NAME :  
Electric Actuator

**KOSAPLUS**  
<http://www.kosaplus.com>

TITLE :

KE004,KE006 1Ph AC ON/OFF

REV. 0

REV.No.	DRAWN / DATE	APPROVED / DATE
	Rocky / 16.10.21	PSKIM / 16.10.21