


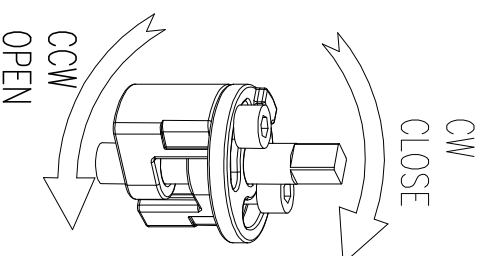
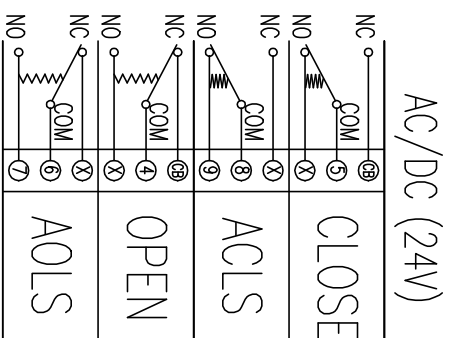
Electric Actuator / Wiring / KE016~KE040

REV.No.	DRAWN / DATE	APPROVED / DATE
 Rocky / 23.05.23	PSKIM / 23.05.23	

LIMIT SWITCH OPERATION

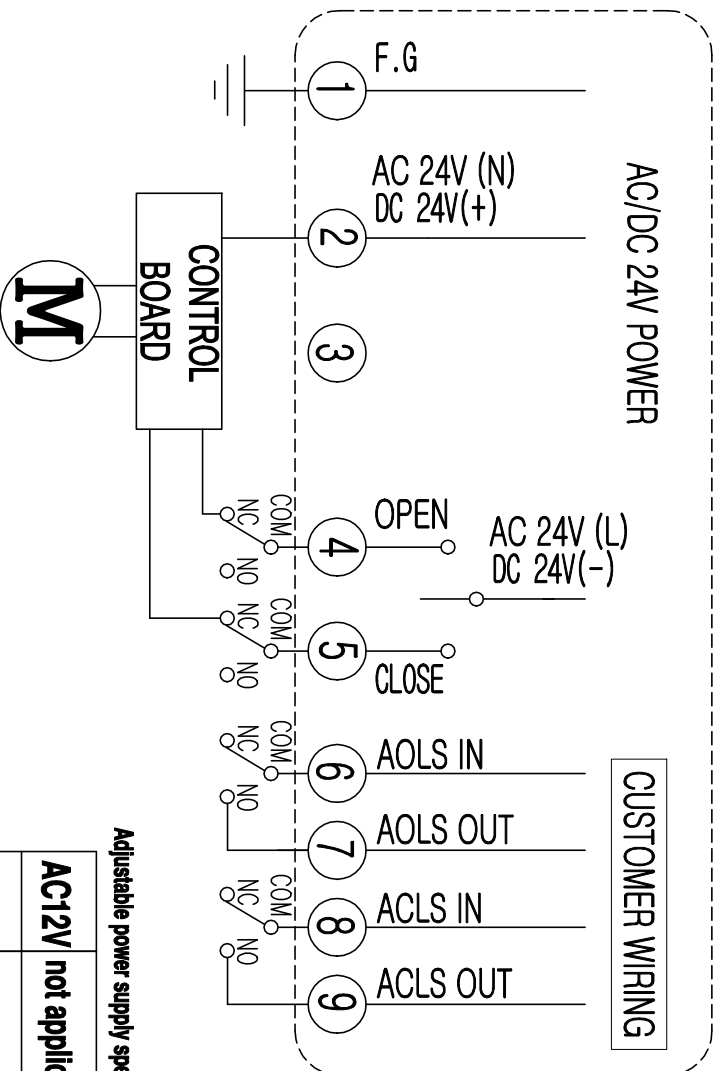
SWITCH	CLOSE	INTERMEDIATE	OPEN
CLS COM-NC		█	█
CLS COM-NO	█		
ACLS COM-NC		█	█
ACLS COM-NO	█		
OLS COM-NC		█	█
OLS COM-NO	█		
AOLS COM-NC		█	█
AOLS COM-NO	█		

SWITCH WIRING (Position : FULL CLOSE)



Adjustable power supply specifications

AC12V	not applicable
AC24V	applicable
DC POWER without concerning polarity	applicable



- CLS : CLOSE LIMIT SWITCH (250VAC , 30VDC 5A)
- OLS : OPEN LIMIT SWITCH (250VAC , 30VDC 5A)
- ACLS : AUX. CLOSE LIMIT SWITCH (250VAC , 30VDC 5A)
- AOLS : AUX. OPEN LIMIT SWITCH (250VAC , 30VDC 5A)

CAUTION

EACH ACTUATOR SHOULD BE POWERED THROUGH IT'S OWN INDIVIDUAL SWITCH OR RELAY CONTACTS TO PREVENT CROSS FEED BETWEEN TWO OR MORE ACTUATOR.

PRODUCT NAME : **KOSAPLUS**
 Electric Actuator <http://www.kosaplus.com>
 TITLE : KE016~KE040 CB3 ON/OFF

REV. 2