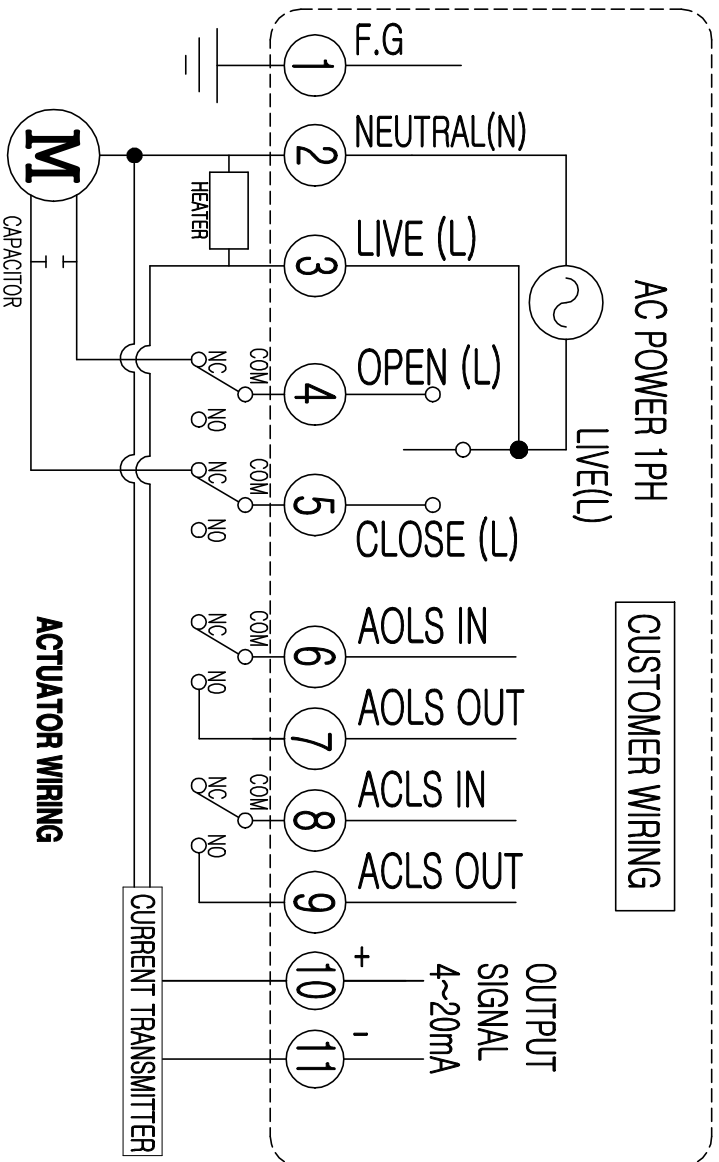


Electric Actuator / Wiring / KE004,KE006,KE008



CIS : CLOSE LIMIT SWITCH (250VAC , 30VDC 5A)
 OIS : OPEN LIMIT SWITCH (250VAC , 30VDC 5A)
 ACS : AUX. CLOSE LIMIT SWITCH (250VAC , 30VDC 5A)
 AOLS : AUX. OPEN LIMIT SWITCH (250VAC , 30VDC 5A)

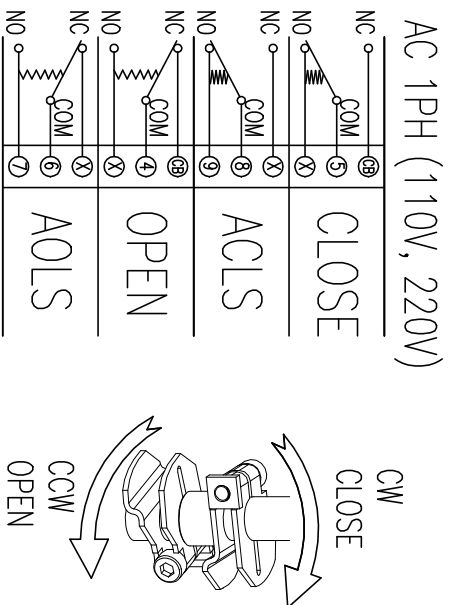


CAUTION
 EACH ACTUATOR SHOULD BE POWERED THROUGH IT'S OWN INDIVIDUAL SWITCH OR RELAY CONTACTS TO PREVENT GROSS FEED BETWEEN TWO OR MORE ACTUATOR.

LIMIT SWITCH OPERATION

SWITCH	CLOSE	INTERMEDIATE	OPEN
OIS COM-NC	█	█	█
OIS COM-NO	█	█	█
ACLS COM-NC	█	█	█
ACLS COM-NO	█	█	█
OIS COM-NC	█	█	█
OIS COM-NO	█	█	█
AOLS COM-NC	█	█	█
AOLS COM-NO	█	█	█

SWITCH WIRING (Position : FULL CLOSE)



PRODUCT NAME :
 Electric Actuator

KOSAPLUS
<http://www.kosaplus.com>

TITLE :

KE004,KE006,KE008 1Ph AC CT

REV. 0

REV.No.	DRAWN / DATE	APPROVED / DATE
△	Rocky / 16.10.21	PSKIM / 16.10.21