

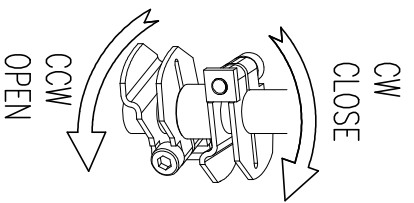
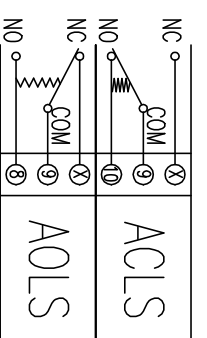
Electric Actuator / Wiring / KE005

LIMIT SWITCH OPERATION

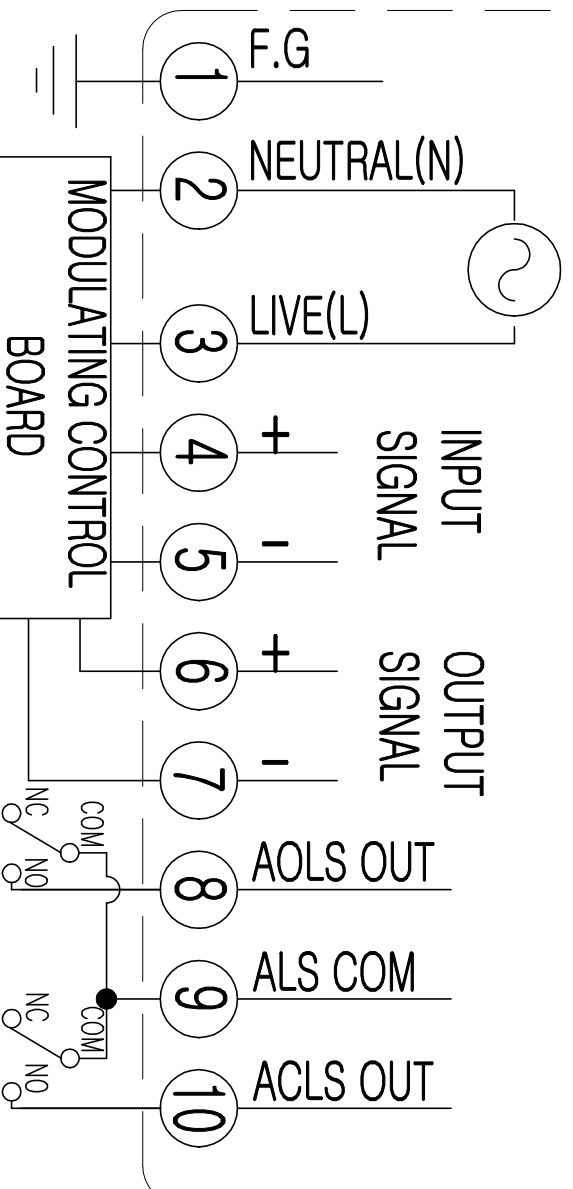
SWITCH	CLOSE	INTERMEDIATE	OPEN
CLS COM-NC	█	█	█
CLS COM-NO	█	█	█
ACLS COM-NC	█	█	█
ACLS COM-NO	█	█	█
OLS COM-NC	█	█	█
OLS COM-NO	█	█	█
AOLS COM-NC	█	█	█
AOLS COM-NO	█	█	█

SWITCH WIRING (Position : FULL CLOSE)

AC 1PH (110V, 220V)



AC POWER



CUSTOMER WIRING

ACTUATOR WIRING

- CLS : CLOSE LIMIT SWITCH (250VAC , 30VDC 5A)
- OLS : OPEN LIMIT SWITCH (250VAC , 30VDC 5A)
- ACLS : AUX. CLOSE LIMIT SWITCH (250VAC , 30VDC 5A)
- AOLS : AUX. OPEN LIMIT SWITCH (250VAC , 30VDC 5A)

CAUTION

EACH ACTUATOR SHOULD BE POWERED THROUGH IT'S OWN INDIVIDUAL SWITCH OR RELAY CONTACTS TO PREVENT CROSS FEED BETWEEN TWO OR MORE ACTUATOR.

PRODUCT NAME : **KOSAPLUS**
 Electric Actuator <http://www.kosaplus.com>

DRAWING NO. **KE005 1Ph AC MC** REV. **0**

REV.No.	DRAWN / DATE	APPROVED / DATE
△	Rocky / 16.10.21	PSKIM / 16.10.21