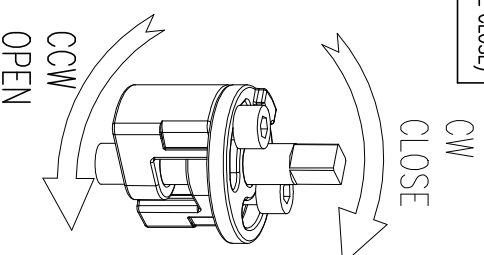
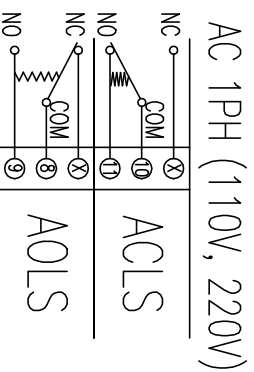


# Electric Actuator / Wiring / KE010~KE120

## LIMIT SWITCH OPERATION

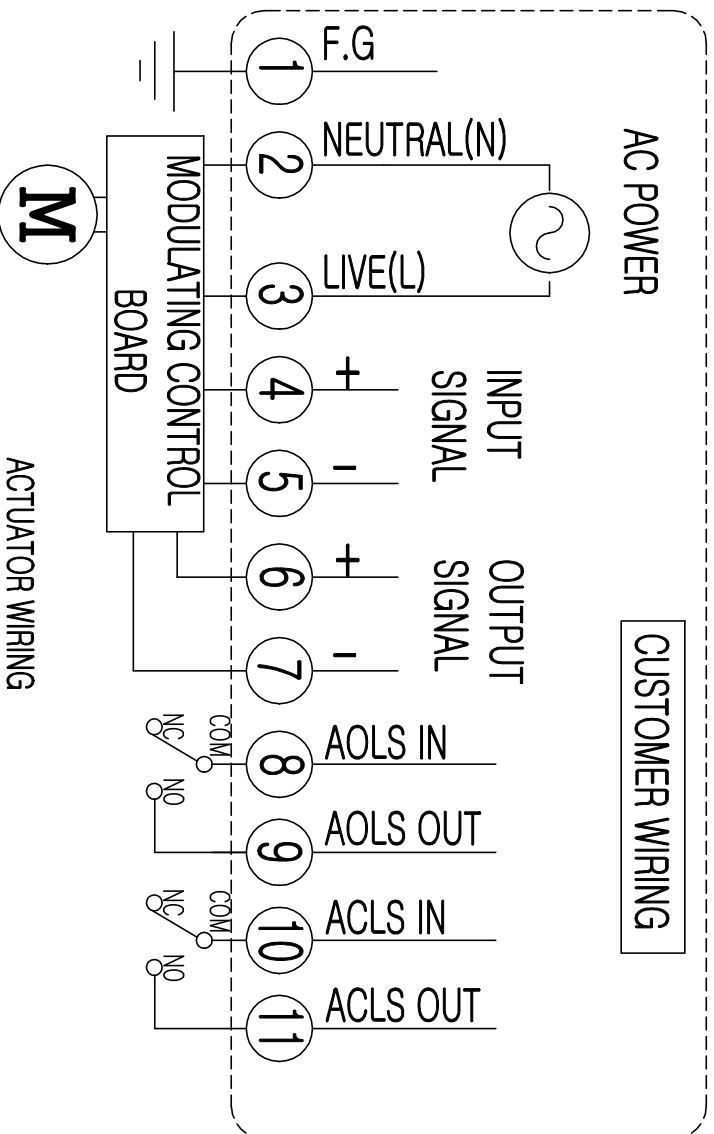
SWITCH	CLOSE	INTERMEDIATE	OPEN
OLS COM-NC	█	█	█
OLS COM-NO	█	█	█
ACLS COM-NC	█	█	█
ACLS COM-NO	█	█	█
OLS COM-NC	█	█	█
OLS COM-NO	█	█	█
AOLS COM-NC	█	█	█
AOLS COM-NO	█	█	█

## SWITCH WIRING (Position : FULL CLOSE)



## AC POWER

## CUSTOMER WIRING



- CLS : CLOSE LIMIT SWITCH (250VAC 16A , 250VDC 0.3A)
- OLS : OPEN LIMIT SWITCH (250VAC 16A , 250VDC 0.3A)
- ACLS : AUX. CLOSE LIMIT SWITCH (250VAC 16A , 250VDC 0.3A)
- AOLS : AUX. OPEN LIMIT SWITCH (250VAC 16A , 250VDC 0.3A)

## CAUTION

EACH ACTUATOR SHOULD BE POWERED THROUGH IT'S OWN INDIVIDUAL SWITCH OR RELAY CONTACTS TO PREVENT CROSS FEED BETWEEN TWO OR MORE ACTUATOR.

PRODUCT NAME :

Electric Actuator

**KOSAPLUS**

<http://www.kosaplus.com>

TITLE :

KE010~KE120 1Ph AC MC

REV. 0

REV.No.

DRAWN / DATE

APPROVED / DATE



Rocky / 16.10.21

PSKIM / 16.10.21