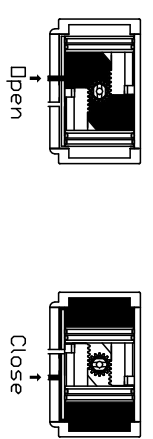
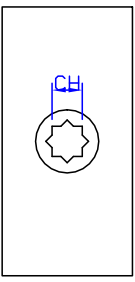
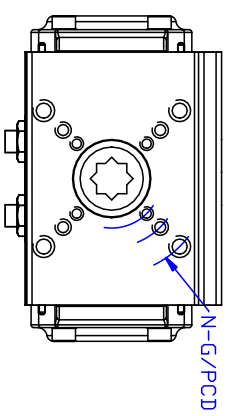
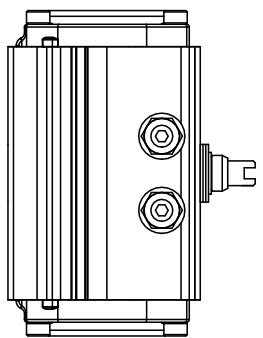
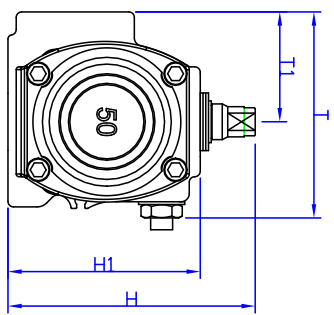
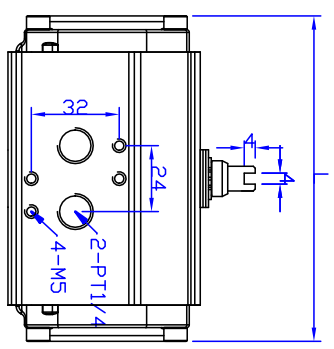
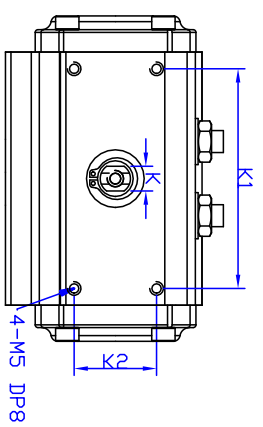


RACK&PINION / DOUBLE ACTING / RD50



MAJOR PART LIST

NO.	PART NAME	MATERIAL
1	BODY	ALUMINIUM
2	SHAFT	STEEL ALLOY (NICKEL COATING)
3	PISTON	ALUMINIUM
4	COVER	ALUMINIUM

SPECIFICATIONS

1. Operating fluid : Compressed dry air
2. Operating pressure : 4Bar~7Bar
3. Operating temperature : -20~80°

REVISION	REVISION DESCRIPTION	DRAWN / DATE	REVIEWED / DATE	APPROVED / DATE
△	바닥 ISO 118.5mm 수평	노윤하 / 130619		
△	커버볼 수평	노윤하 / 191115		

■ DIMENSION(mm)

MODEL	K1	K2	ISO	φP.C.D	N-G(OP)	K	L	T	T1	H	H1	CH	DP	WEIGHT
RD50	80	30	F03/F05/F07	35/50/70	4-MS/MS 4-MS/MS (10/12/12.5)	9	118.5	75	40	90	70	11*11	13	1.0kg

PRODUCT NAME Pneumatic actuator		TITLE DRAWING	
MODEL RD50		DRAWING NO. PARD50-001	
MATERIAL -		APPROVED DATE	
DRAWING DATE		REV. 5	
KOSAPLUS Co.,Ltd.			