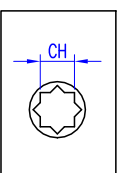
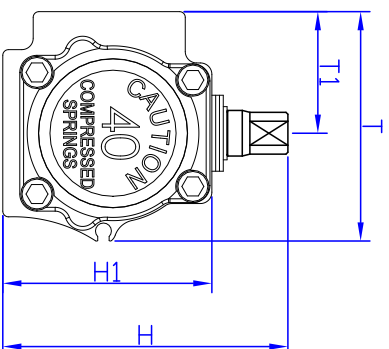
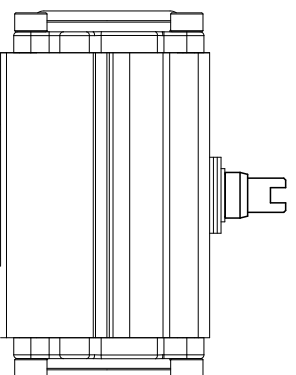
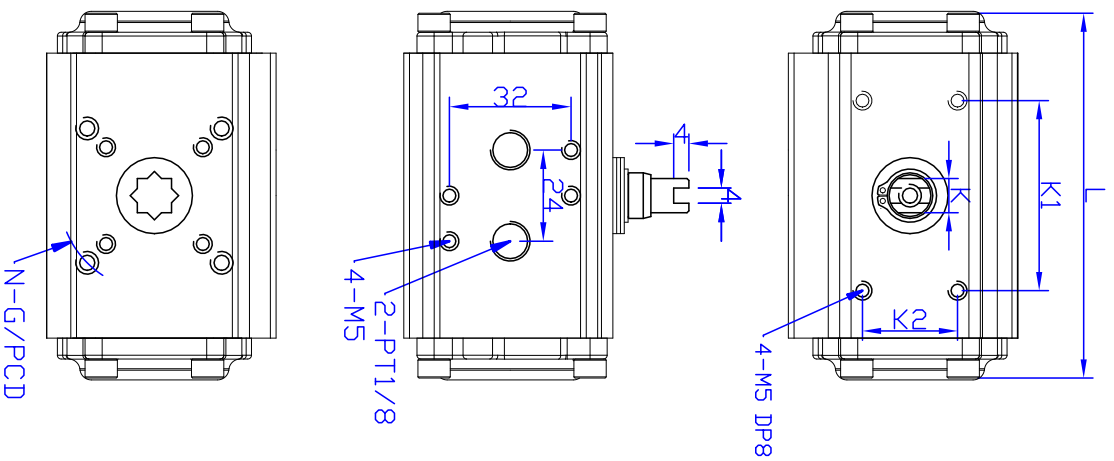
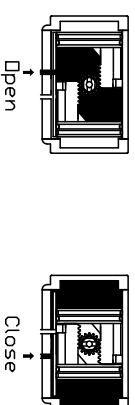


RACK&PINION / DOUBLE ACTING / RD40

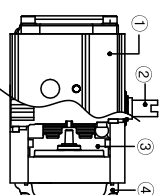


REVISION NO.	REVISION DESCRIPTION	DRAWN / DATE	REVIEWED / DATE	APPROVED / DATE
△	바닥 ISO 8mm 간격치수 삽입	노윤아 / 2023.0		
△	바닥 ISO 8mm 간격치수 수정	노윤아 / 2023.09.19		

Operating



MAJOR PART LIST



NO.	PART NAME	MATERIAL
1	BODY	ALUMINIUM
2	SHAFT	STEEL ALLOY (NICKEL COATING)
3	PISTON	ENGINEERING PLASTIC
4	COVER	ALUMINIUM

SPECIFICATIONS

1. Operating fluid : Compressed dry air
2. Operating pressure : 4Bar~7Bar
3. Operating temperature : -20~80°

■ DIMENSION(mm)

MODEL	K1	K2	ISO	φP.C.D	N-C(DP)	K	L	T	T1	H	H1	CH	DP	WEIGHT
RD40	50	25	F03/F05	36/50	4-MS/M6 (8/12)	9	97	63	32	75	55	9*9	9	0.5kg

■ Torque (Nm) at 4.5Bar

	Open	Close
8.0		
8.0		

PRODUCT NAME Pneumatic actuator		TITLE DRAWING	
MODEL RD40	HARDNESS -	DRAWING NO. PARD40-001	
DRAWING DATE	APPROVED DATE	REV. 4	
SAMILAUTO Co.,Ltd			