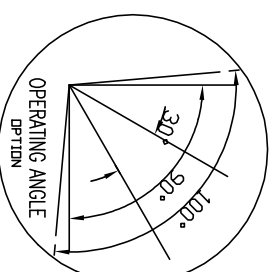
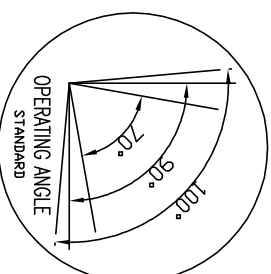
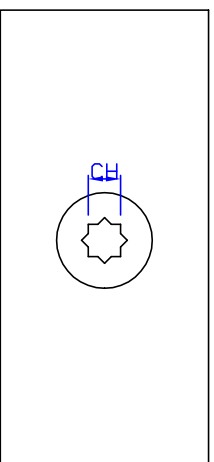
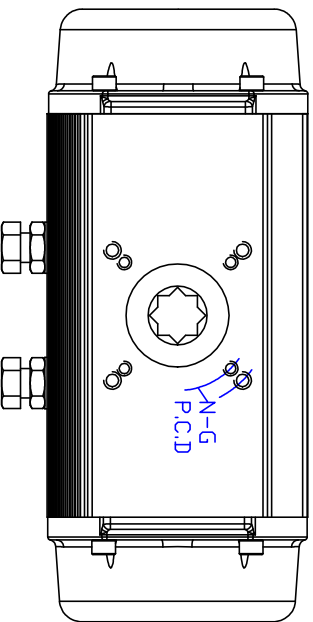
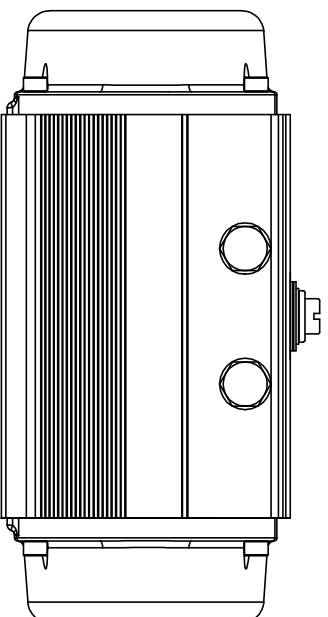
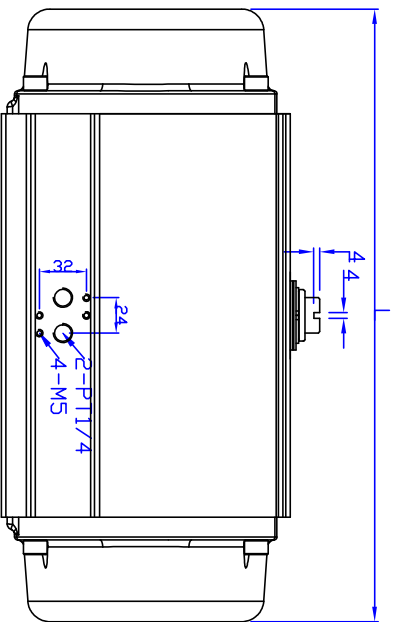
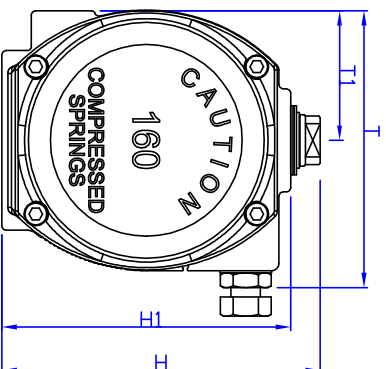
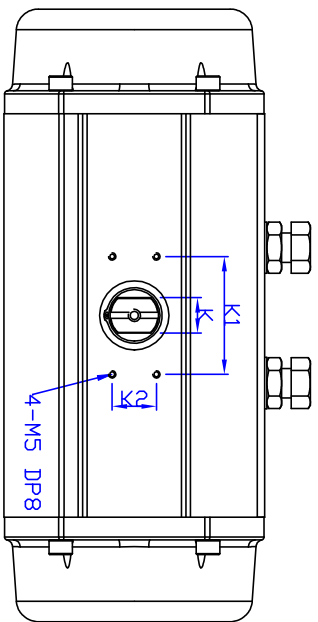
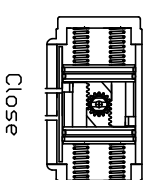
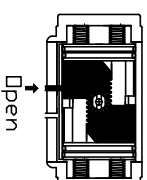


RACK&PINION / SPRING RETURN / RS160

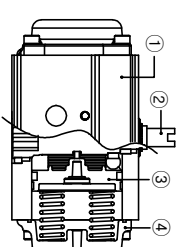


REV.NO.	REVISION DESCRIPTION	DRAWN / DATE	REVIEWED / DATE	APPROVED / DATE
△	축 인디케이터부 수정	노을아 / 160531		

Operating



MAJOR PART LIST



NO.	PART NAME	MATERIAL
1	BODY	ALUMINUM
2	SHAFT	STEEL ALLOY (NICKEL COATING)
3	PISTON	ALUMINUM
4	COVER	ALUMINUM

SPECIFICATIONS

1. Operating fluid : Compressed dry air
2. Operating pressure : 4Bar~7Bar
3. Operating temperature : -20~80°

■ DIMENSION(mm)

MODEL	K1	K2	ISO	ØP.C.D	N-G(DP)	K	L	T	T1	H	H1	CH	DP	WEIGHT
RS160	80	30	F10/F12	102/125	4-M10/M12 (18/25)	24	416	188	88	216	196	27*27	30	19.5kg

PRODUCT NAME Pneumatic actuator		TITLE DRAWING	
MODEL RS160	HARDNESS -	DRAWING NO. PARS160-001	
DRAWING DATE	APPROVED DATE	REV. 5	

KOSAPLUS Co.,Ltd