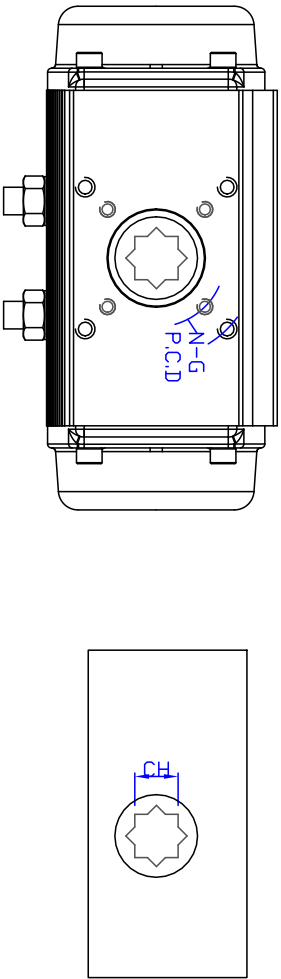
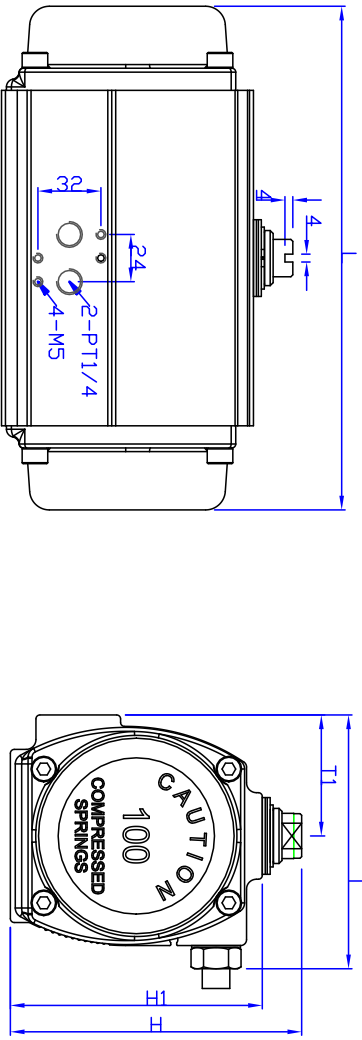
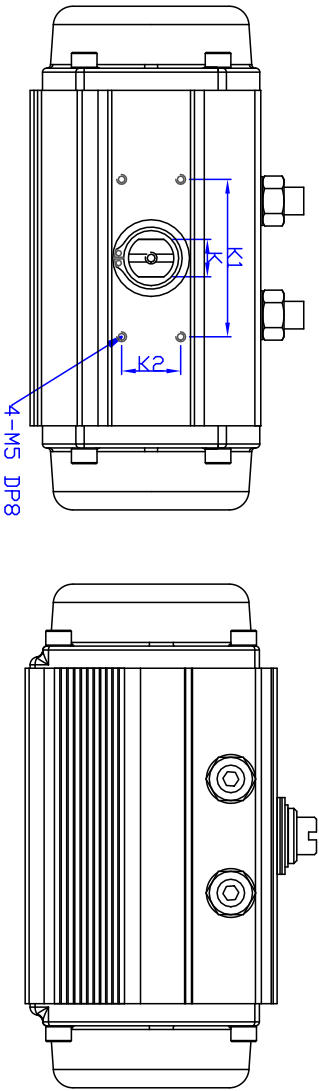


RACK&PINION / SPRING RETURN / RS100



■ DIMENSION(mm)

MODEL	K1	K2	ISO	ØP.C.D	N-G(DP)	K	L	T	T1	H	H1	CH	DP	WEIGHT
RS100	80	30	F07/F10	70/102	←M8/M10(16/21)	19	256	129	61.5	148	128	22*22	26	5.4kg

■ Torque (Nm) at 4.5bar

	0°	90°
Open	84.8	61.6
Close (spring 8)	41.7	64.9

PRODUCT NAME Pneumatic actuator		TITLE DRAWING	
MODEL RS100	HARDNESS -	DRAWING NO PARS100-001	REV. 5
MATERIAL -	APPROVED DATE	KOSAPLUS Co.,Ltd	

REV.NO.	REVISION DESCRIPTION	DRAWN / DATE	REVIEWED / DATE	APPROVED / DATE
△	바닥 ISO 8mm 길이사수 삽입	노윤하 / 120730		
△	바닥 ISO 8mm 길이사수 수정	노윤하 / 130619		

MAJOR PART LIST

NO.	PART NAME	MATERIAL
1	BODY	ALUMINUM
2	SHAFT	STEEL ALLOY (NICKEL COATING)
3	PISTON	ALUMINUM
4	COVER	ALUMINUM

SPECIFICATIONS

1. Operating fluid : Compressed dry air
2. Operating pressure : 4Bar~7Bar
3. Operating temperature : -20~80°

