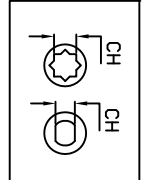
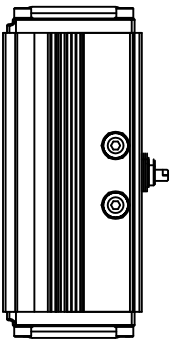
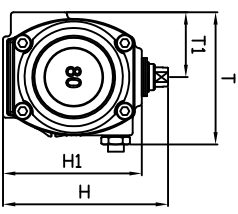
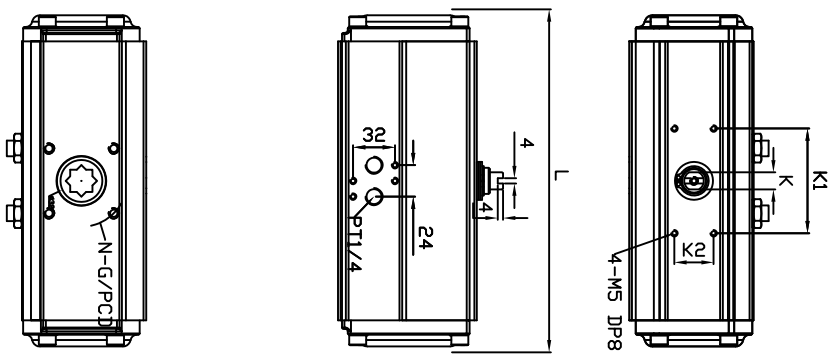
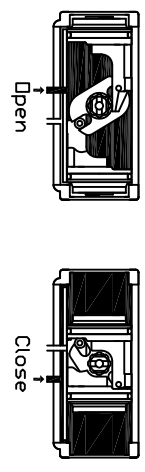


SCOTCH-YOKE / DOUBLE ACTING / AD80



REV.NO.	REVISION DESCRIPTION	DRAWN / DATE	REVIEWED / DATE	APPROVED / DATE
△	바디 버택 축 고정 축소	노동아 / 180201		
△	그림 변경(120810에반영)	노동아 / 190319		



MAJOR PART LIST

NO.	PART NAME	MATERIAL
1	BODY	ALUMINUM
2	SHAFT	STEEL ALLOY (NICKEL COATING)
3	SHAFT ROLLER	ENGINEERING PLASTIC
4	CRANK	STEEL ALLOY
5	PISTON	ALUMINUM
6	COVER	ALUMINUM

SPECIFICATIONS

1. Operating fluid : Compressed dry air
2. Operating pressure : 4Bar~7Bar
3. Operating temperature : -20~80°

■ DIMENSION(mm)

MODEL	K1	K2	ISO	φP.C.D	N-G (DP)	K	L	T	T1	H	H1	CH	DP	WEIGHT
AD80	80	30	F07	70	4-M8 (15)	13	253	101	49.5	126	106	17*17 14.7*φ19	19 20	3.9kg

PRODUCT NAME Pneumatic actuator		TITLE DRAWING	
MODEL AD80	HARDNESS -	DRAWING NO. PAAD80-001	
DRAWING DATE	APPROVED DATE	REV. 7	

KOSAPLUS Co.,Ltd