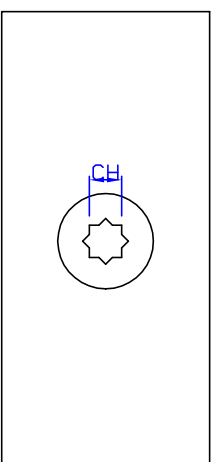
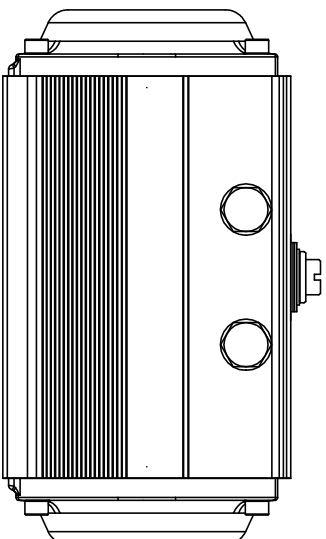
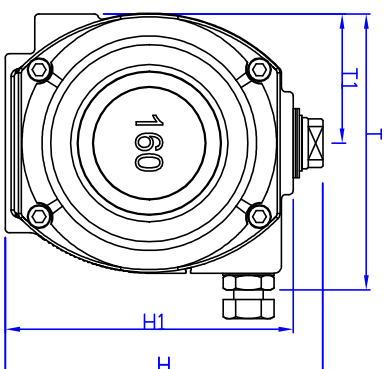
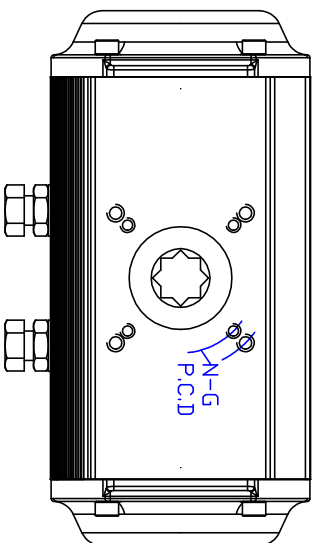
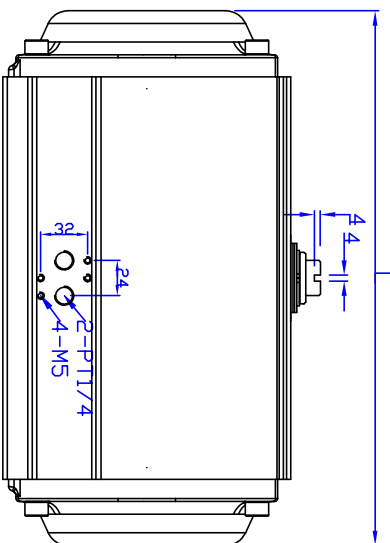
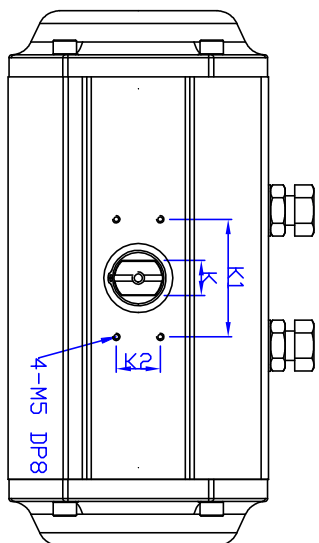
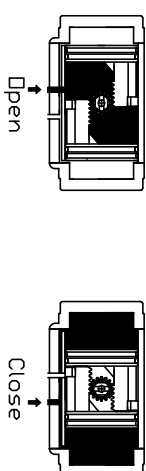


RACK&PINION / DOUBLE ACTING / RD160

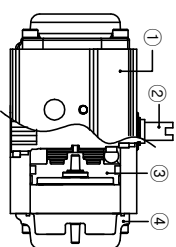


REV./NO.	REVISION DESCRIPTION	DRAWN / DATE	REVIEWED / DATE	APPROVED / DATE
△ 1	축 인디케이터부 수정	노을아 / 160531		

Operating



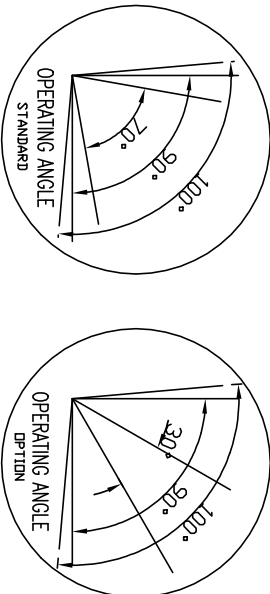
MAJOR PART LIST



NO.	PART NAME	MATERIAL
1	BODY	ALUMINIUM
2	SHAFT	STEEL ALLOY (NICKEL COATING)
3	PISTON	ALUMINIUM
4	COVER	ALUMINIUM

SPECIFICATIONS

1. Operating fluid : Compressed dry air
2. Operating pressure : 4Bar~7Bar
3. Operating temperature : -20~80°



■ DIMENSION(mm)

MODEL	K1	K2	ISO	ØP.C.D	N-G(DP)	K	L	T	T1	H	H1	CH	DP	WEIGHT
RD160	80	30	F10/F12	102/125	4-M10/M12 (18/25)	24	364	188	88	216	196	27*27	30	16.9kg

PRODUCT NAME		TITLE	
Pneumatic actuator		DRAWING	
MODEL	RD160	DRAWING NO.	PARD160-001
MATERIAL	-	APPROVED DATE	REV.
DRAWING DATE	-		5

KOSAPLUS Co.,Ltd