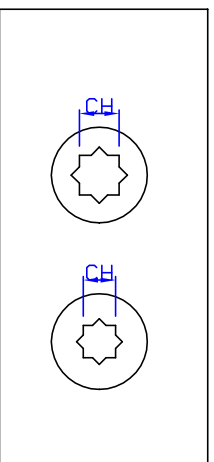
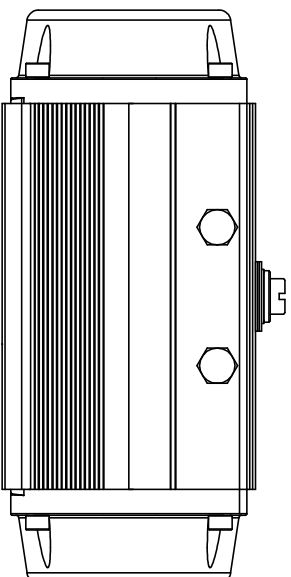
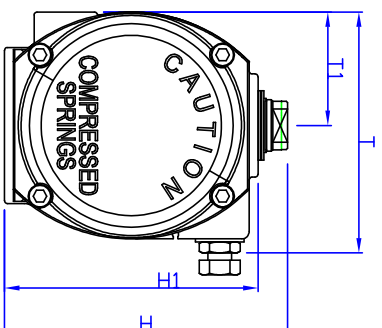
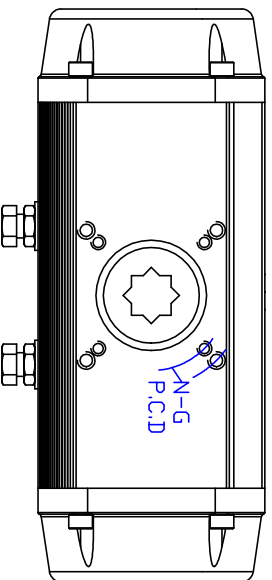
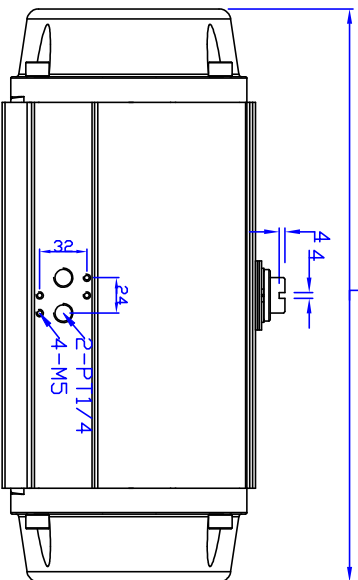
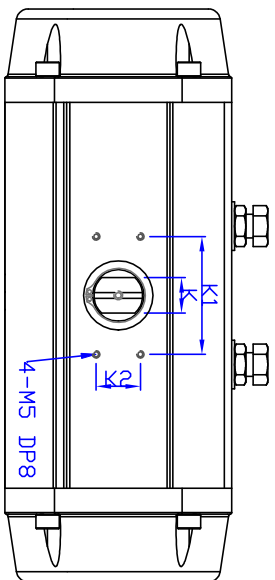
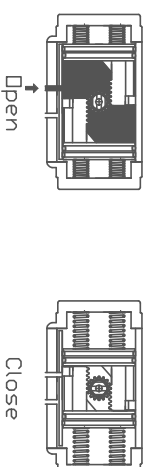


RACK&PINION / SPRING RETURN / RS140

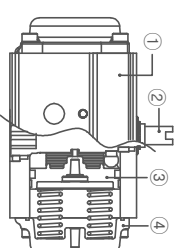


REV.NO.	REVISION DESCRIPTION	DRAWN / DATE	REVIEWED / DATE	APPROVED / DATE
△	무경정형 15.1 -> 14.5	노윤아 / 120608		
△	바닥 ISO 탭 길이처수 상인	노윤아 / 120730		

Operating



MAJOR PART LIST



NO.	PART NAME	MATERIAL
1	BODY	ALUMINUM
2	SHAFT	STEEL ALLOY (NICKEL COATING)
3	PISTON	ALUMINUM
4	COVER	ALUMINUM

SPECIFICATIONS

1. Operating fluid : Compressed dry air
2. Operating pressure : 4Bar~7Bar
3. Operating temperature : -20~80°

■ DIMENSION(mm)

MODEL	K1	K2	ISO	ØP.C.D	N-G(DP)	K	L	T	T1	H	H1	CH	DP	WEIGHT
RS140	80	30	F10/F12	102/125	4-M10/M12 (18/26)	24	389	164	87	192	172	27*27 22*22	30 26	14.5kg

■ Torque (Nm) at 4.5Bar

	0°	90°
Open	241.9	172.9
Close (spring 8)	123.1	192.0

PRODUCT NAME Pneumatic actuator
 MODEL RS140
 MATERIAL -
 HARDNESS -
 DRAWING DATE -
 APPROVED DATE -

TITLE KOSAPLUS Co.,Ltd
 DRAWING NO. PARS140-001
 REV. 5