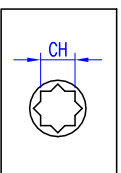
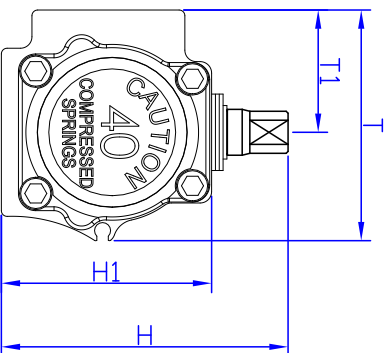
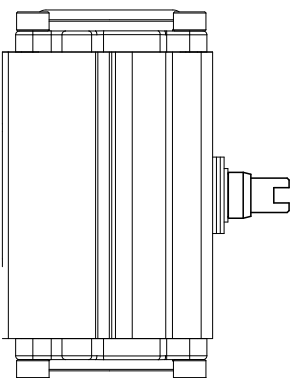
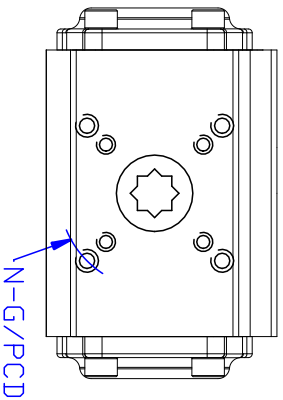
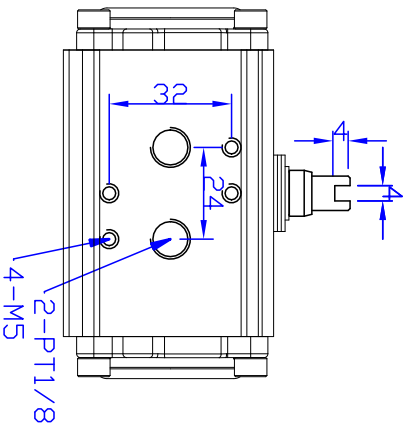
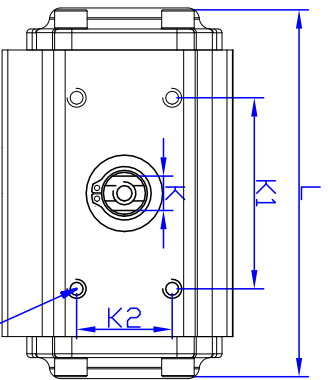
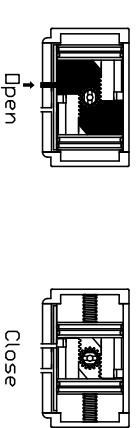


# RACK&PINION / SPRING RETURN / RS40



REV. NO.	REVISION DESCRIPTION	DRAWN / DATE	REMOVED / DATE	APPROVED / DATE
△	바닥 ISO 100mm 간격이수 삽입	노윤하 / 120730		
△	뚜껑, 바닥 ISO 100mm 간격이수 수정	노윤하 / 130629		



### MAJOR PART LIST

NO.	PART NAME	MATERIAL
1	BODY	ALUMINIUM
2	SHAFT	STEEL ALLOY (NICKEL COATING)
3	PISTON	ENGINEERING PLASTIC
4	COVER	ALUMINIUM

### SPECIFICATIONS

1. Operating fluid : Compressed dry air
2. Operating pressure : 4Bar~7Bar
3. Operating temperature : -20~80°

### ■ DIMENSION(mm)

MODEL	K1	K2	ISO	ΦP.C.D	N-G(DP)	K	L	T	T1	H	H1	CH	DP	WEIGHT
RS40	50	25	F03/F05	36/50	4-M5/M6 (8/12)	9	97	63	32	75	55	9*9	9	0.6kg

### ■ Torque (Nm) at 6Bar

	0°	90°
Open	6.4	4.2
Close (spring 2)	4.2	6.4

PRODUCT NAME Pneumatic actuator		TITLE DRAWING	
MODEL RS40	HARDNESS -	DRAWING NO. PARS40-001	
DRAWING DATE	APPROVED DATE	REV. 4	

SAMILLAUTO Co., Ltd  
KOREA