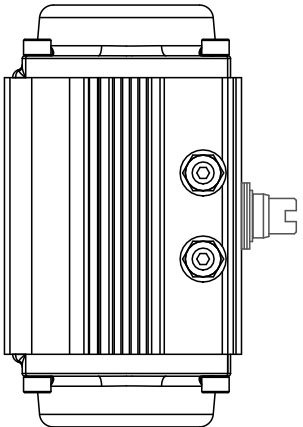
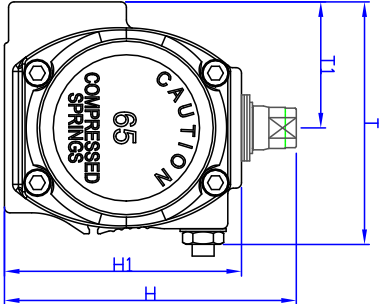
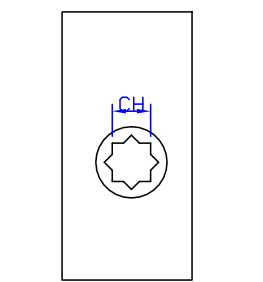
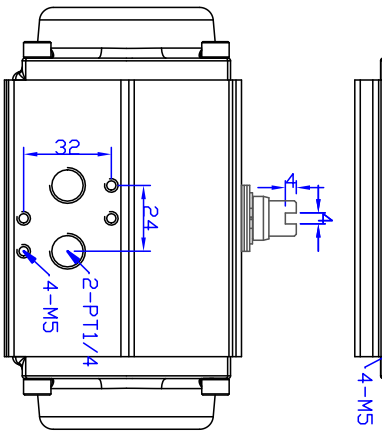
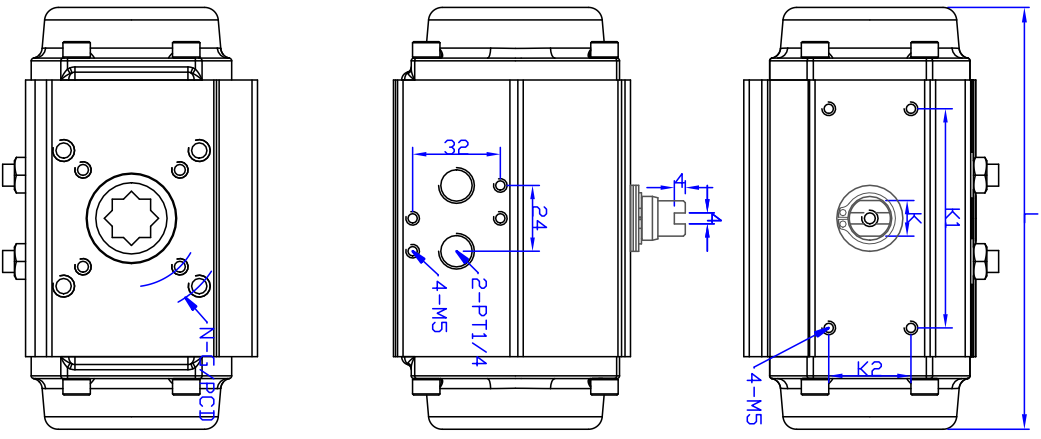
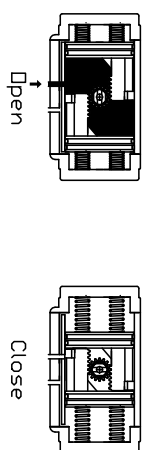


RACK&PINION / SPRING RETURN / RS65

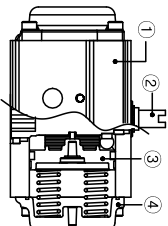


REV.NO	REVISION DESCRIPTION	DRAWN / DATE	REVIEWED / DATE	APPROVED / DATE
△	바탕 ISO 및 같이사수 삽입	노윤아 / 120730		
△	바탕 ISO 및 같이사수 수정	노윤아 / 130619		



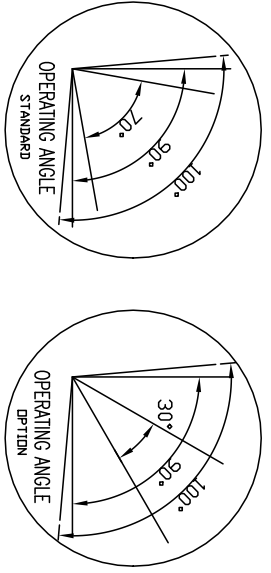
MAJOR PART LIST

NO.	PART NAME	MATERIAL
1	BODY	ALUMINIUM
2	SHAFT	STEEL ALLOY (NICKEL COATING)
3	PISTON	ALUMINIUM
4	COVER	ALUMINIUM



SPECIFICATIONS

1. Operating fluid : Compressed dry air
2. Operating pressure : 4Bar~7Bar
3. Operating temperature : -20~80°



DIMENSION(mm)														
MODEL	K1	K2	ISO	ØP.C.D	N-G(DP)	K	L	T	T1	H	H1	CH	DP	WEIGHT
RS65	80	30	F05/F07	50/70	4-M6/M8 (11/11)	13	154	88.5	46	106.5	86.5	14*14	16	1.5kg

Torque (Nm) at 4.5Bar			
	Open	90°	
Close (spring 8)	19.2	14.3	9.5
	9.5	14.4	

PRODUCT NAME		TITLE	
Pneumatic actuator		DRAWING	
MODEL	RS65	DRAWING NO.	PARS65-001
MATERIAL	-	APPROVED DATE	REV.
DRAWING DATE			5

KOSAPLUS Co., Ltd