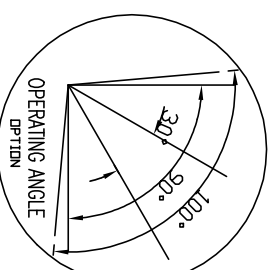
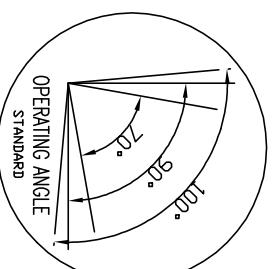
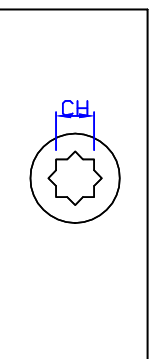
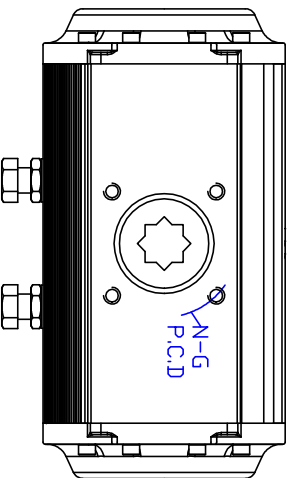
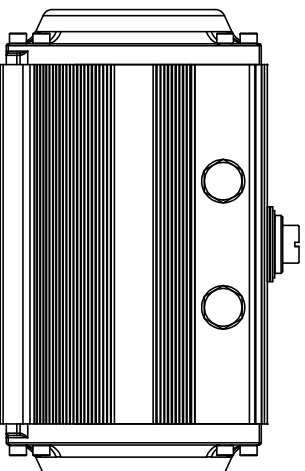
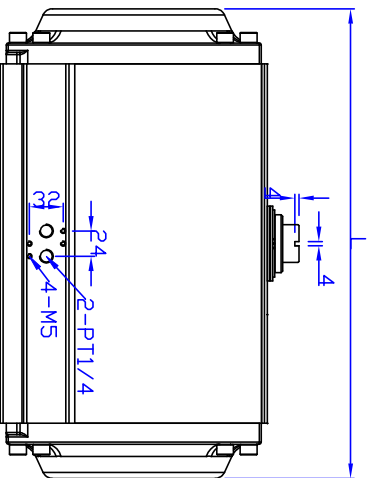
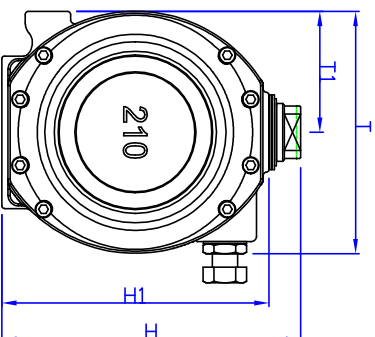
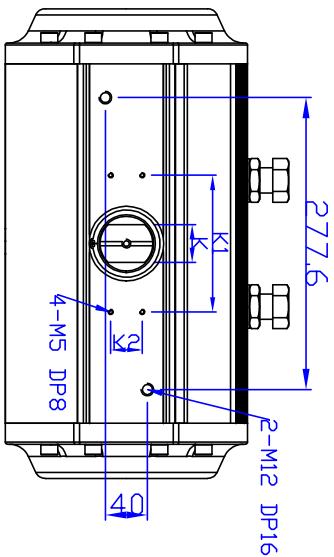
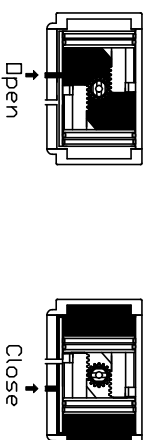


RACK&PINION / DOUBLE ACTING / RD210

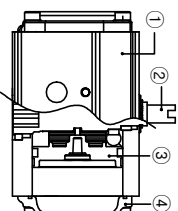


REV.NO.	REVISION DESCRIPTION	DRAWN / DATE	REVIEWED / DATE	APPROVED / DATE
△	바닥 ISO 열 강어쳐수 삽입	노윤아 / 120730		
△	바닥 ISO 열 강어쳐수 삽입	노윤아 / 130619		

Operating



MAJOR PART LIST



NO.	PART NAME	MATERIAL
1	BODY	ALUMINIUM
2	SHAFT	STEEL ALLOY (NICKEL COATING)
3	PISTON	ALUMINIUM
4	COVER	ALUMINIUM

SPECIFICATIONS

1. Operating fluid : Compressed dry air
2. Operating pressure : 4Bar~7Bar
3. Operating temperature : -20~80°

■ DIMENSION(mm)

MODEL	K1	K2	ISO	ØP.C.D	N-G(DP)	K	L	T	T1	H	H1	CH	DP	WEIGHT
RD210	130	30	F14	140	4-M16 (23)	36	447	231	115	284	254	36*36	30	32.3kg

■ Torque (Nm) at 4.5Bar

	Open	1088.0
Close		1088.0

PRODUCT NAME Pneumatic actuator		TITLE DRAWING	
MODEL RD210	HARDNESS -	DRAWING NO. PARD210-001	REV. 5
KOSAPLUS Co.,Ltd			