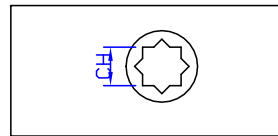
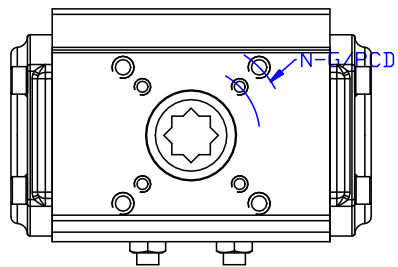
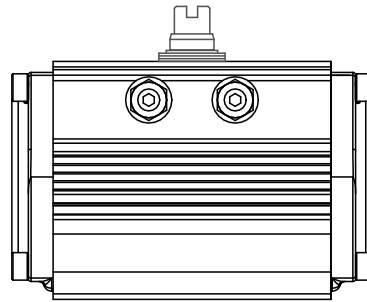
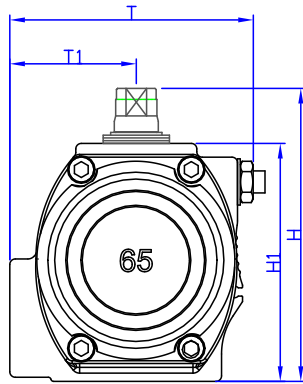
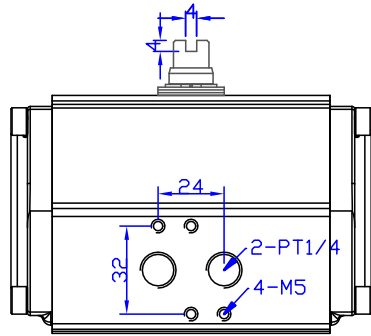
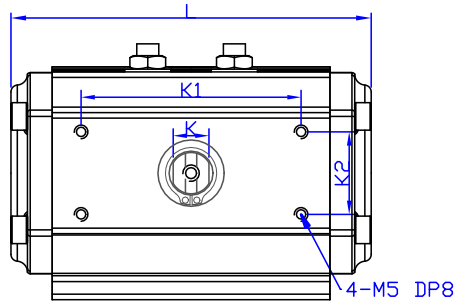
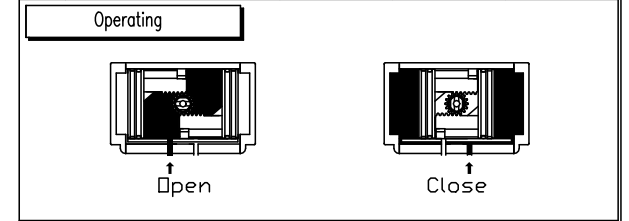


# RACK&PINION / SPRING RETURN / RD65



REV.NO.	REVISION DESCRIPTION	DRAWN / DATE	REVIEWED / DATE	APPROVED / DATE
△	바닥 ISO 탭 깊이치수 삽입	노을아/120730		
△	바닥 ISO 탭 깊이치수 수정	노을아/130619		

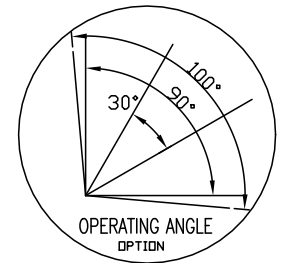
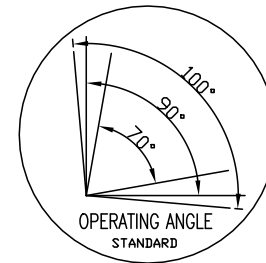


MAJOR PART LIST

NO.	PART NAME	MATERIAL
1	BODY	ALUMINUM
2	SHAFT	STEEL ALLOY (NICKEL COATING)
3	PISTON	ALUMINUM
4	COVER	ALUMINUM

SPECIFICATIONS

- Operating fluid : Compressed dry air
- Operating pressure : 4Bar~7Bar
- Operating temperature : -20~80°



■ DIMENSION(mm)

MODEL	K1	K2	ISO	øP.C.D	N-G(DP)	K	L	T	T1	H	H1	CH	DP	WEIGHT
RD65	80	30	F05/F07	50/70	4-M6/M8 (11/11)	13	131	88.5	46	106.5	86.5	14*14	16	1.4kg

■ Torque (Nm) at 4.5Bar

Open	28.6
Close	28.6

PRODUCT NAME Pneumatic actuator		KOSAPLUS Co.,Ltd <small>KOREA</small>	
MODEL RD65	TITLE DRAWING		
MATERIAL -	HARDNESS -	DRAWING NO. PARD65-001	REV. 5
DRAWING DATE	APPROVED DATE		