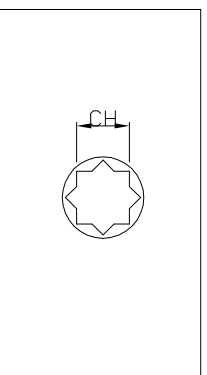
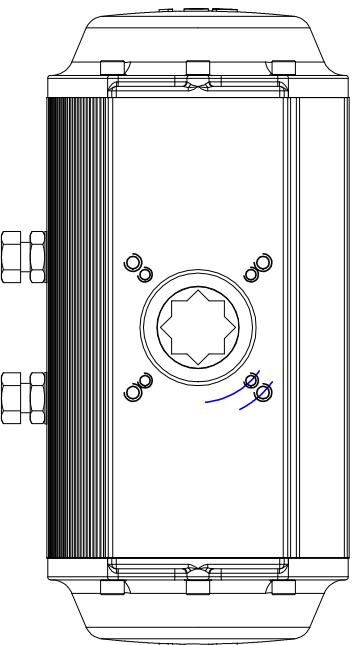
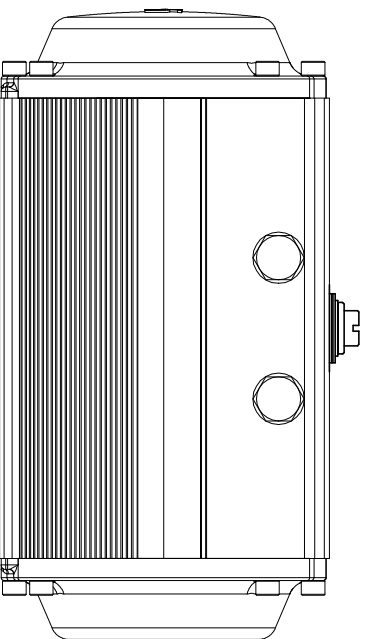
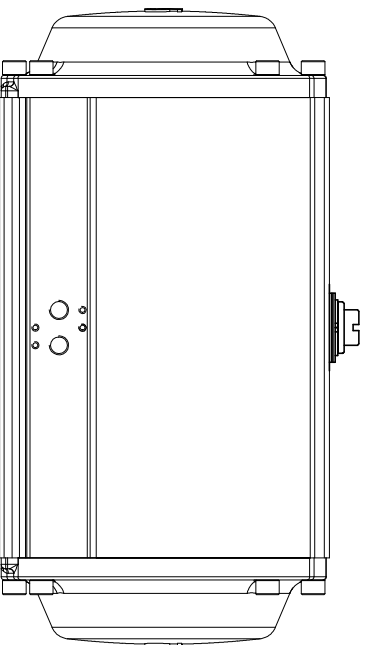
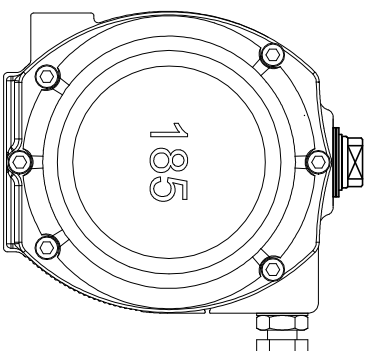
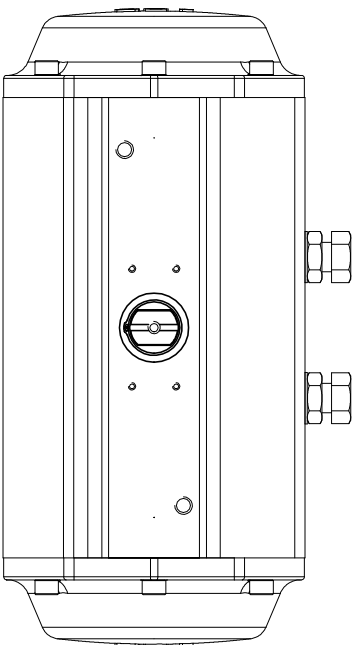
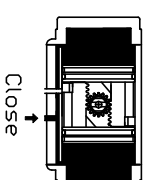
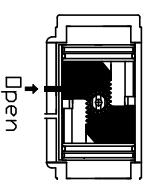


# RACK&PINION / DOUBLE ACTING / RD185

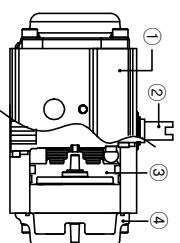


REV.NO.	REVISION DESCRIPTION	DRAWN / DATE	REVIEWED / DATE	APPROVED / DATE
△	K1, ISO 버퍼 변경	노을아 / 161019		
△	stem 변경	노을아 / 190820		

Operating



MAJOR PART LIST



NO.	PART NAME	MATERIAL
1	BODY	ALUMINIUM
2	SHAFT	STEEL ALLOY (NICKEL COATING)
3	PISTON	ALUMINIUM
4	COVER	ALUMINIUM

SPECIFICATIONS

1. Operating fluid : Compressed dry air
2. Operating pressure : 4Bar~7Bar
3. Operating temperature : -20~80°

■ DIMENSION(mm)

MODEL	K1	K2	ISO	ØP.C.D	N-g(OP)	K	L	T	T1	H	H1	CH	DP	WEIGHT
RD185	80	30	F10/F12	102/125	4-M10/M12 (18/25)	24	434	217	103	244	224	36*36	30	24.2kg

PRODUCT NAME Pneumatic actuator		TITLE DRAWING	
MODEL RD185	HARDNESS -	DRAWING NO. PARD185-001	
DRAWING DATE	APPROVED DATE	REV. 2	
KOSAPLUS Co.,Ltd		KPSA	