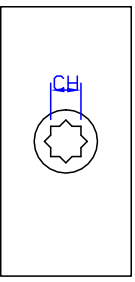
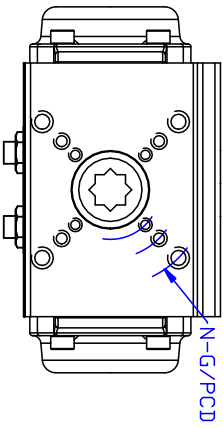
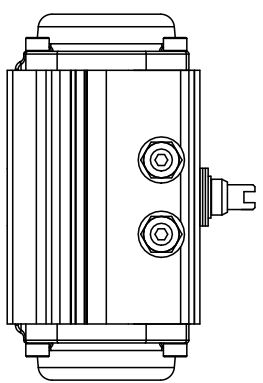
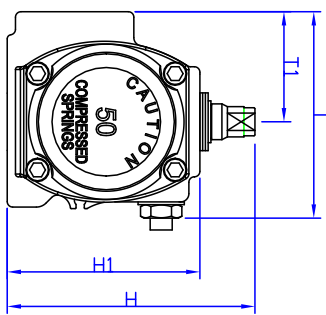
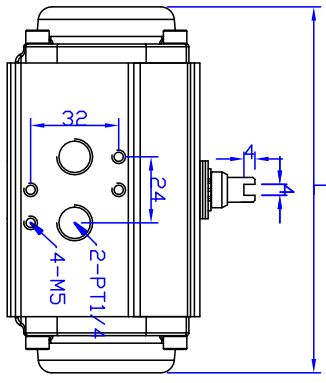
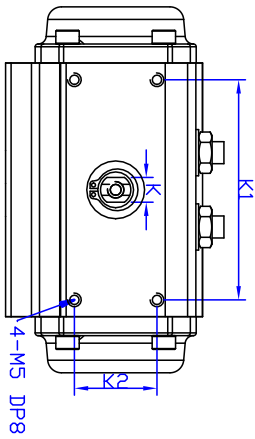
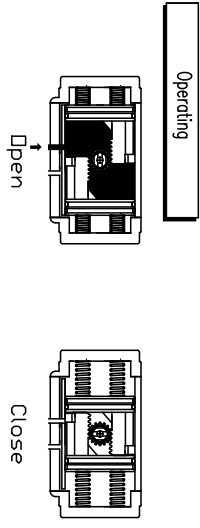


RACK&PINION / SPRING RETURN / RSS50



REV.NO.	REVISION DESCRIPTION	DRAWN / DATE	REVIEWED / DATE	APPROVED / DATE
△	바닥 ISO 80 길이에수 수정	노용아/130619		
△	도크삭제	노용아/191115		



MAJOR PART LIST

NO.	PART NAME	MATERIAL
1	BODY	ALUMINIUM
2	SHAFT	STEEL ALLOY (NICKEL COATING)
3	PISTON	ALUMINIUM
4	COVER	ALUMINIUM

SPECIFICATIONS

1. Operating fluid : Compressed dry air
2. Operating pressure : 4Bar~7Bar
3. Operating temperature : -20~80°

■ DIMENSION(mm)

MODEL	K1	K2	ISO	ØP.C.D	N-G(DP)	K	L	T	T1	H	H1	CH	DP	WEIGHT
RSS50	80	30	F03/F05/F07	35/50/70	4-M5/Ø8/Ø8 (10/12/12.5)	9	133	75	40	90	70	11*11	13	1.1kg

PRODUCT NAME Pneumatic actuator		TITLE DRAWING	
MODEL RSS50	HARDNESS -	DRAWING NO. PARS50-001	REV. 5
MATERIAL -	DATE	APPROVED DATE	
KOSAPLUS Co.,Ltd. <small>OSHA</small>			