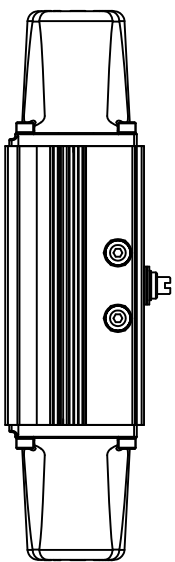
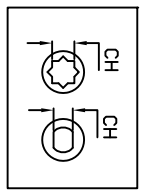
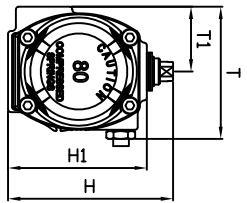
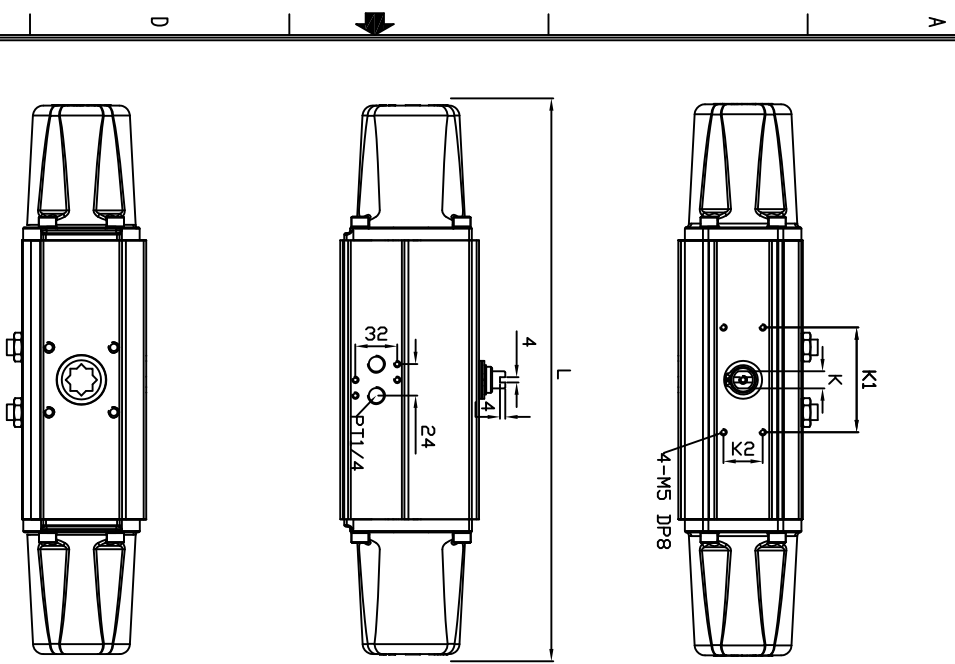
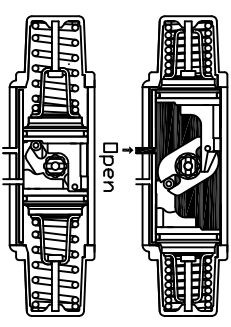


SCOTCH-YOKE / SPRING RETURN / AS80



REV.NO.	REVISION DESCRIPTION	DRAWN / DATE	REVIEWED / DATE	APPROVED / DATE
△	바디 바력 속 외경 /기하	노동아 / 180201		
△	크외 변경(120810에반영)	노동아 / 190319		

Operating



MAJOR PART LIST

NO.	PART NAME	MATERIAL
1	BODY	ALUMINIUM
2	SHAFT	STEEL ALLOY (NICKEL COATING)
3	SHAFT ROLLER	ENGINEERING PLASTIC
4	CRANK	STEEL ALLOY
5	PISTON	ALUMINIUM
6	COVER	ALUMINIUM

SPECIFICATIONS

1. Operating fluid : Compressed dry air
2. Operating pressure : 4Bar~7Bar
3. Operating temperature : -20~80°
4. Spring torque : Weak/Middle/Strong

■ DIMENSION(mm)

MODEL	K1	K2	ISO	φP.C.D	N-G (DP)	K	L	T	T1	H	H1	CH	DP	WEIGHT
AS80	80	30	F07	70	4-M8 (15)	13	421	101	49.5	126	106	17*17 14.7*φ19	19 20	5.3kg

PRODUCT NAME Pneumatic actuator		TITLE DRAWING	
MODEL AS80	HARDNESS -	DRAWING NO. PAAS80-001	REV. 7
KOSAPLUS Co.,Ltd			