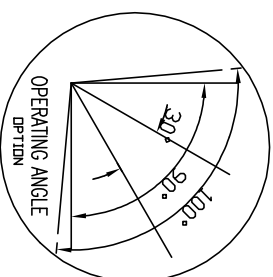
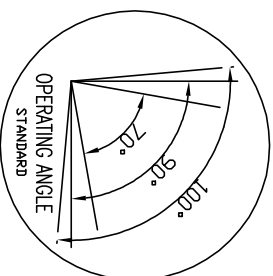
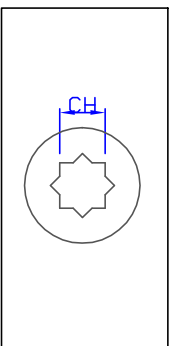
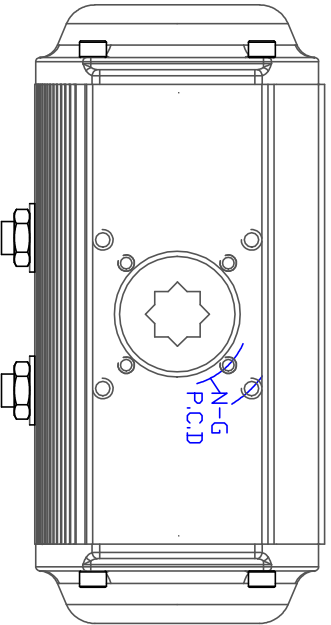
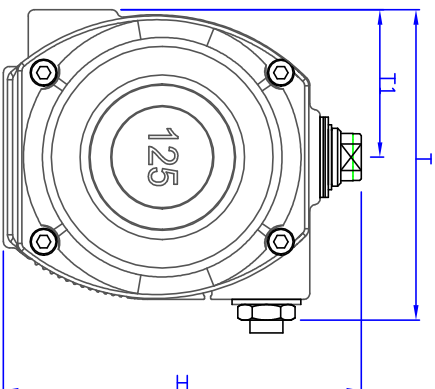
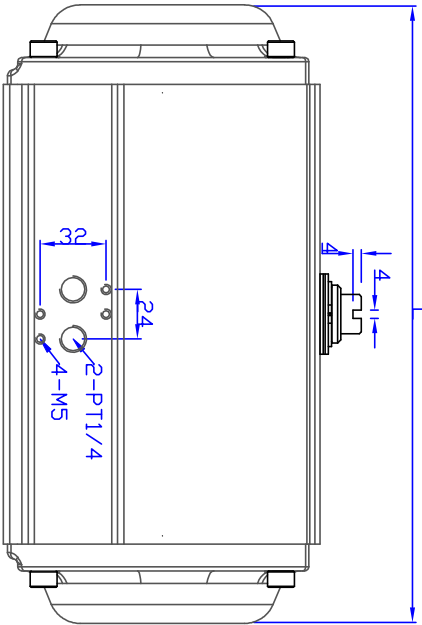
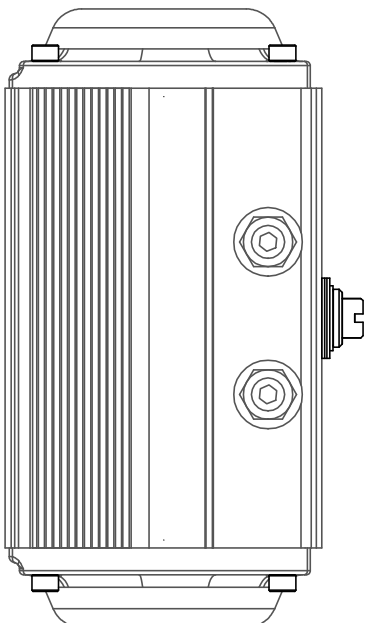
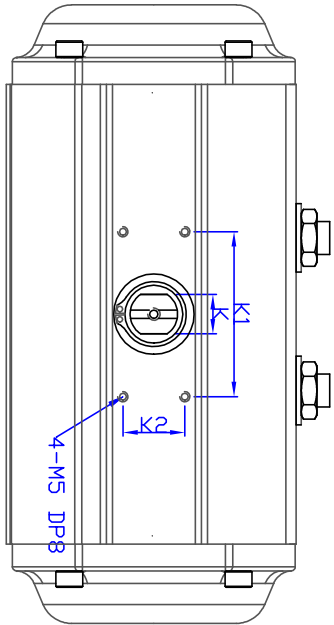
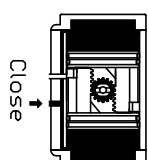
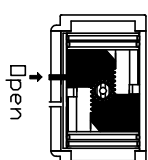


RACK&PINION / DOUBLE ACTING / RD125

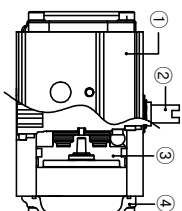


REV.NO.	REVISION DESCRIPTION	DRAWN / DATE	REVIEWED / DATE	APPROVED / DATE
△	그림이 및 하부 덮개 길이 수정	노용아 / 130619		
△	포크데이터 삭제	노용아 / 170119		

Operating



MAJOR PART LIST



NO.	PART NAME	MATERIAL
1	BODY	ALUMINUM
2	SHAFT	STEEL ALLOY (NICKEL COATING)
3	PISTON	ALUMINUM
4	COVER	ALUMINUM

SPECIFICATIONS

1. Operating fluid : Compressed dry air
2. Operating pressure : 4Bar~7Bar
3. Operating temperature : -20~80°

■ DIMENSION(mm)

MODEL	K1	K2	ISO	ØP.C.D	N-G(DP)	K	L	T	T1	H	H1	CH	DP	WEIGHT
RD125	80	30	F07/F10	70/102	←M8/M10(16/19)	19	300	150.5	71.5	173.5	153.5	22*22	26	8.6kg

PRODUCT NAME		TITLE	
Pneumatic actuator		DRAWING	
MODEL	RD125	DRAWING NO.	PARD125-001
MATERIAL	HARDNESS	APPROVED DATE	REV.
-	-		6

KOSAPLUS Co.,Ltd