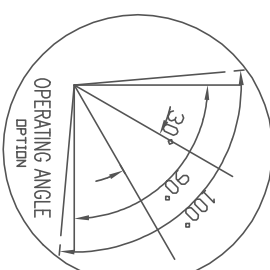
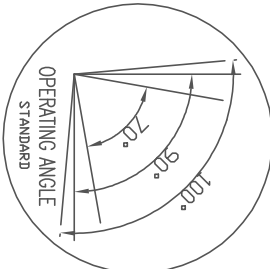
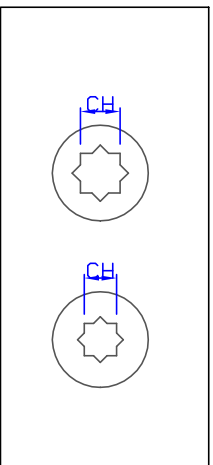
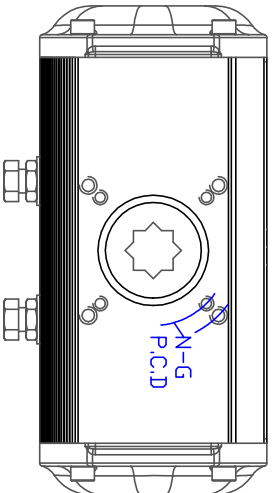
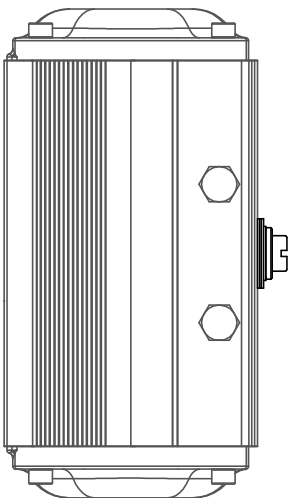
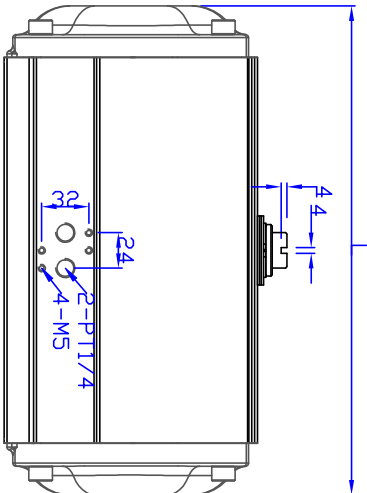
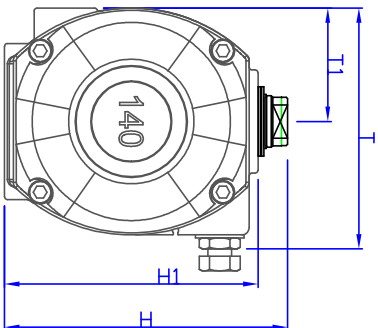
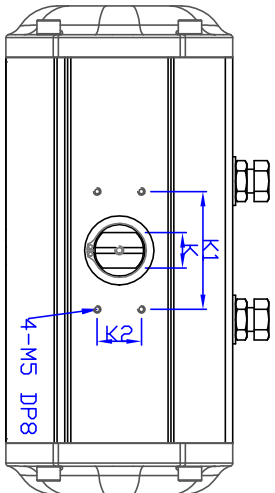
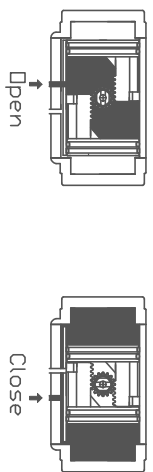


RACK&PINION / DOUBLE ACTING / RD140

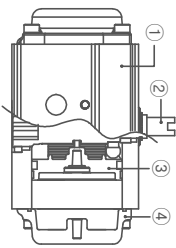


REV.NO.	REVISION DESCRIPTION	DRAWN / DATE	REVIEWED / DATE	APPROVED / DATE
△	무게정형 12.1 -> 12.4	노을아 / 120608		
△	바닥 ISO 탭 길이최소 삽입	노을아 / 120730		

Operating



MAJOR PART LIST



NO.	PART NAME	MATERIAL
1	BODY	ALUMINUM
2	SHAFT	STEEL ALLOY (NICKEL COATING)
3	PISTON	ALUMINUM
4	COVER	ALUMINUM

SPECIFICATIONS

1. Operating fluid : Compressed dry air
2. Operating pressure : 4Bar~7Bar
3. Operating temperature : -20~80°

■ DIMENSION(mm)

MODEL	K1	K2	ISO	ØP.C.D	N-G(DP)	K	L	T	T1	H	H1	CH	DP	WEIGHT
RD140	80	30	F10/F12	102/125	4-M10/M12 (18/26)	24	332	164	87	192	172	27*27 22*22	30 26	12.4kg

■ Torque (Nm) at 4.5Bar

	Open	Close
WEIGHT	365.0	365.0

PRODUCT NAME		TITLE	
Pneumatic actuator		DRAWING	
MODEL	RD140	DRAWING NO.	PARD140-001
MATERIAL	HARDNESS	APPROVED DATE	REV.
			5

KOSAPLUS Co.,Ltd