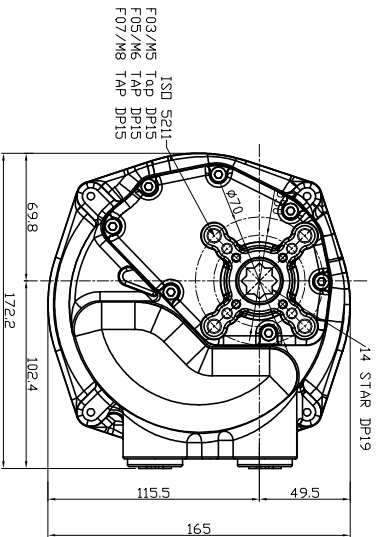
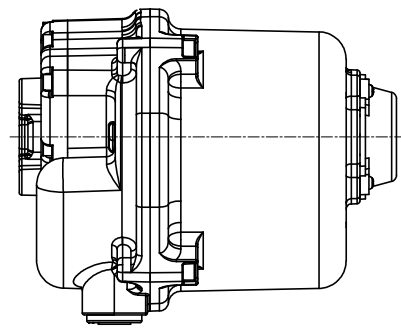
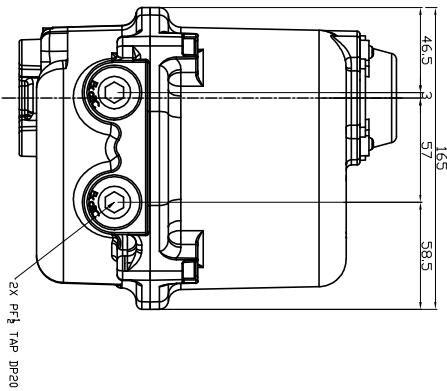
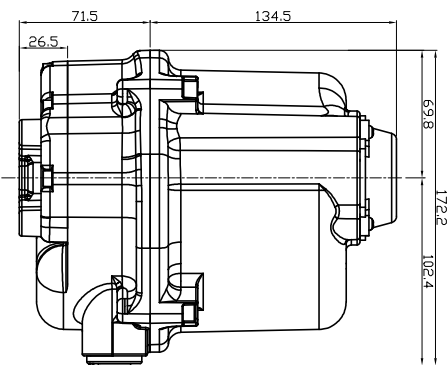
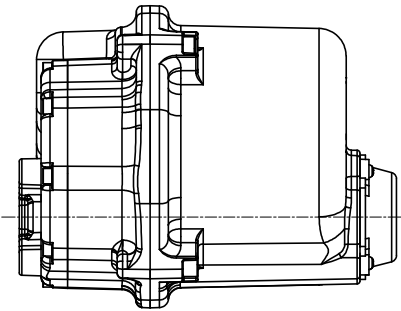
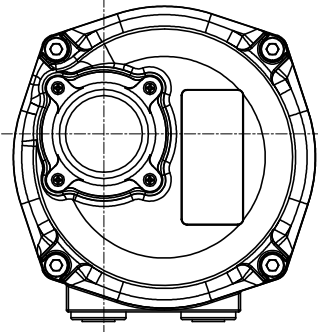


KPD010 / Dimension

REV. NO.	REVISION DESCRIPTION	DRAWN / DATE	APPROVED / DATE
△	최초작성	노한기 / 180809	
△			



KOSAPLUS Co.,Ltd	
TITLE KPD010 Dimension	
DRAWING NO. KPD010-0000	REV. 0