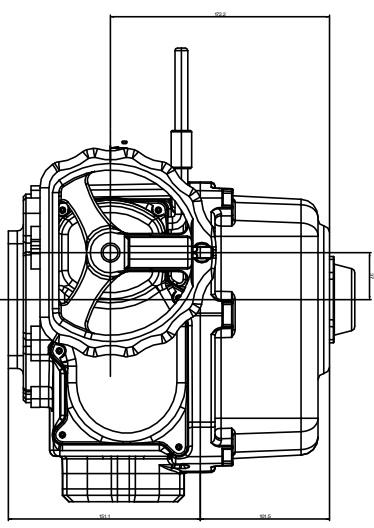
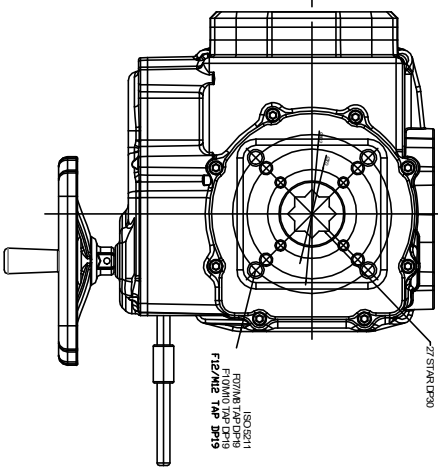
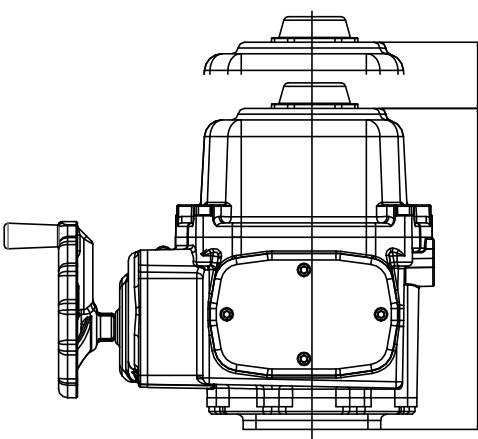
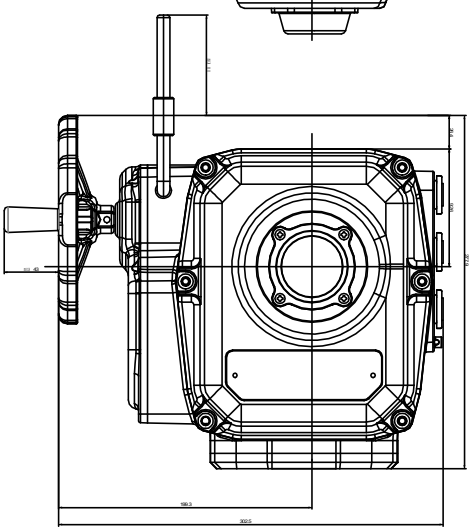
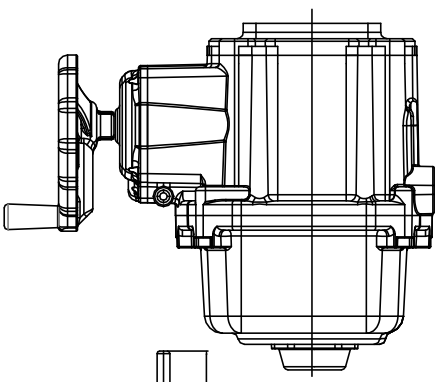
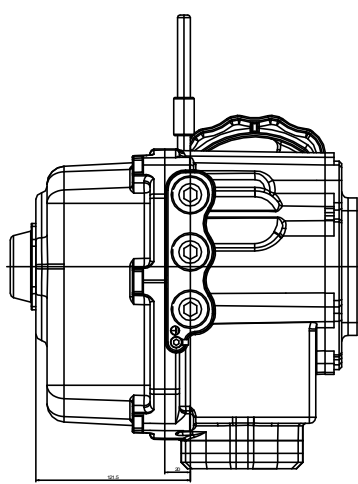


# KPD050 / Dimension

REV. NO.	REVISION DESCRIPTION	DRAWN / DATE	APPROVED / DATE
△	최초작성	김필승 / 200809	
△			



ISO 2511  
FORMING TAPER  
FLOWING TAP DR18  
FL/2/4/2 1/4" DR19

27° STANDARD

KOSAPLUS Co.,Ltd	
KOSAPLUS	
TITLE KPD050 Dimension	
DRAWING NO. KPD050-0000	REV. 0