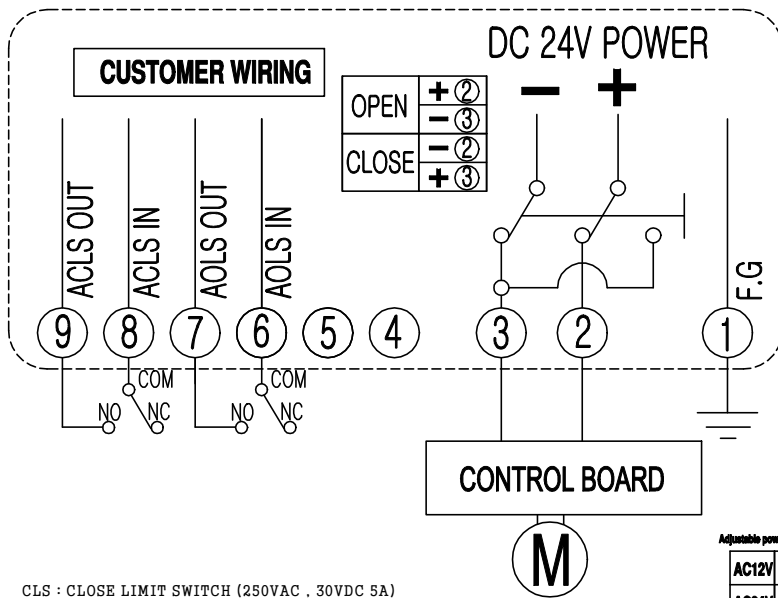


### Electric Actuator / Wiring / KP010



CLS : CLOSE LIMIT SWITCH (250VAC , 30VDC 5A)  
 OLS : OPEN LIMIT SWITCH (250VAC , 30VDC 5A)  
 ACLS : AUX. CLOSE LIMIT SWITCH (250VAC , 30VDC 5A)  
 AOLS : AUX. OPEN LIMIT SWITCH (250VAC , 30VDC 5A)

OPEN	+	②
	-	③
CLOSE	-	②
	+	③

Adjustable power supply specifications

AC12V	not applicable
AC24V	not applicable
DC 24V	applicable

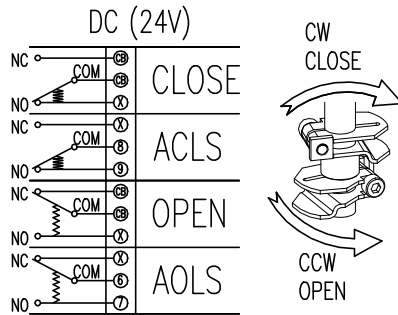
#### CAUTION

EACH ACTUATOR SHOULD BE POWERED THROUGH IT'S OWN INDIVIDUAL SWITCH OR RELAY CONTACTS TO PREVENT CROSS FEED BETWEEN TWO OR MORE ACTUATOR.

#### LIMIT SWITCH OPERATION

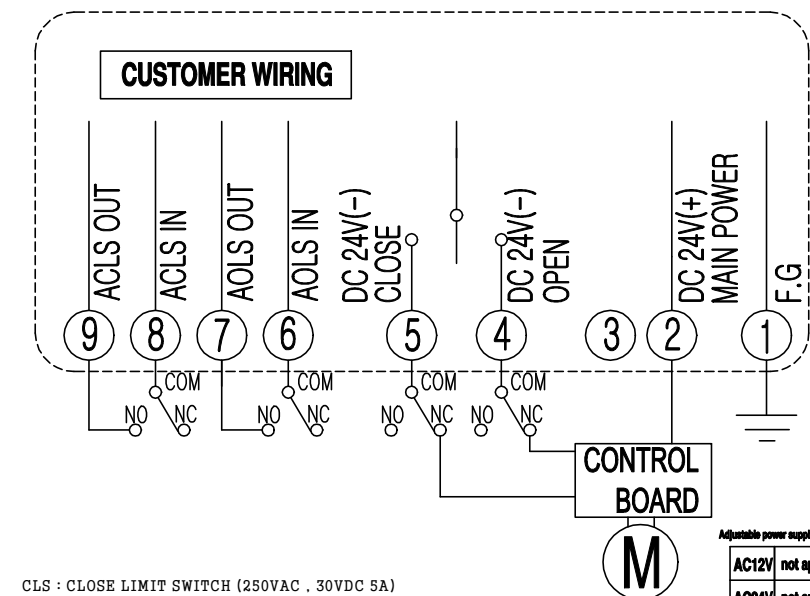
SWITCH	CLOSE	← INTERMEDIATE →	OPEN
CLS COM-NC	█		
CLS COM-NO		█	
ACLS COM-NC	█		
ACLS COM-NO		█	
OLS COM-NC	█		
OLS COM-NO		█	
AOLS COM-NC	█		
AOLS COM-NO		█	

#### SWITCH WIRING (POSITION : FULL CLOSE)



PRODUCT NAME : **KOSAPLUS**  
 Electric Actuator <http://www.kosaplus.com>  
 TITLE : **KP010 CB2 ON/OFF**  
 REV. 1

### Electric Actuator / Wiring / KP010



CLS : CLOSE LIMIT SWITCH (250VAC , 30VDC 5A)  
 OLS : OPEN LIMIT SWITCH (250VAC , 30VDC 5A)  
 ACLS : AUX. CLOSE LIMIT SWITCH (250VAC , 30VDC 5A)  
 AOLS : AUX. OPEN LIMIT SWITCH (250VAC , 30VDC 5A)

Adjustable power supply specifications

AC12V	not applicable
AC24V	not applicable
DC 24V	not applicable

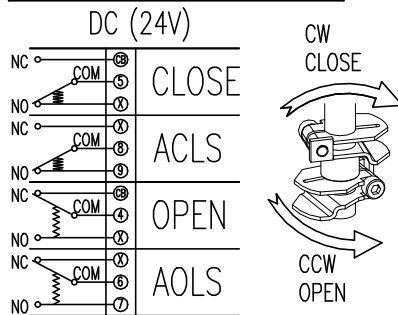
#### CAUTION

EACH ACTUATOR SHOULD BE POWERED THROUGH IT'S OWN INDIVIDUAL SWITCH OR RELAY CONTACTS TO PREVENT CROSS FEED BETWEEN TWO OR MORE ACTUATOR.

#### LIMIT SWITCH OPERATION

SWITCH	CLOSE	← INTERMEDIATE →	OPEN
CLS COM-NC	█		
CLS COM-NO		█	
ACLS COM-NC	█		
ACLS COM-NO		█	
OLS COM-NC	█		
OLS COM-NO		█	
AOLS COM-NC	█		
AOLS COM-NO		█	

#### SWITCH WIRING (POSITION : FULL CLOSE)



PRODUCT NAME : **KOSAPLUS**  
 Electric Actuator <http://www.kosaplus.com>  
 TITLE : **KP010 CB3 ON/OFF**  
 REV. 1