
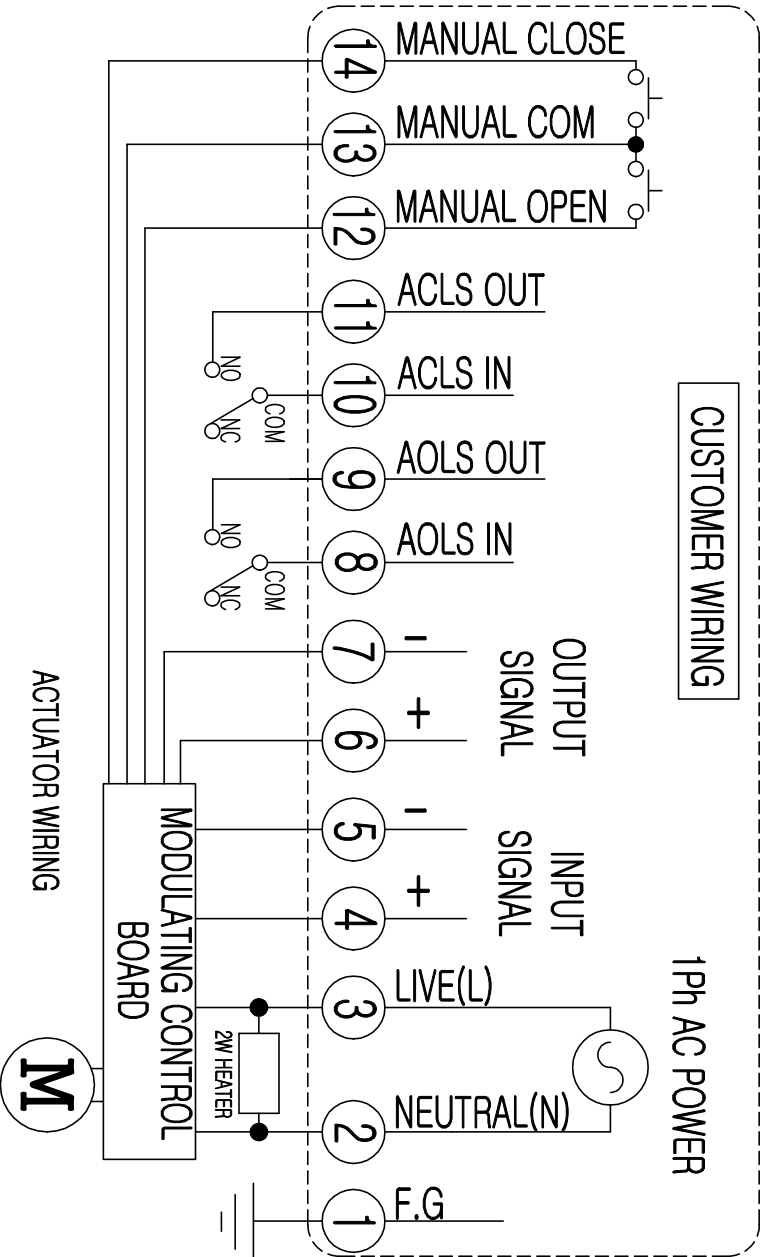


# Electric Actuator / Wiring / KP010

## LIMIT SWITCH OPERATION

REV.No.	DRAWN / DATE	APPROVED / DATE
	Rocky / 19.07.16	Rocky / 19.07.16

## CUSTOMER WIRING



1Ph AC POWER

OUTPUT SIGNAL  
INPUT SIGNAL

MODULATING CONTROL BOARD

ACTUATOR WIRING

- CLS : CLOSE LIMIT SWITCH (250VAC , 30VDC 5A)
- OLS : OPEN LIMIT SWITCH (250VAC , 30VDC 5A)
- ACLS : AUX. CLOSE LIMIT SWITCH (250VAC , 30VDC 5A)
- AOLS : AUX. OPEN LIMIT SWITCH (250VAC , 30VDC 5A)

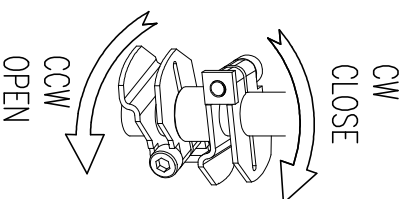
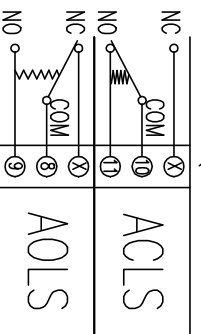
**CAUTION**

EACH ACTUATOR SHOULD BE POWERED THROUGH IT'S OWN INDIVIDUAL SWITCH OR RELAY CONTACTS TO PREVENT CROSS FEED BETWEEN TWO OR MORE ACTUATOR.

SWITCH	CLOSE	INTERMEDIATE	OPEN
CLS COM-NC	█	█	█
CLS COM-NO	█	█	█
ACLS COM-NC	█	█	█
ACLS COM-NO	█	█	█
OLS COM-NC	█	█	█
OLS COM-NO	█	█	█
AOLS COM-NC	█	█	█
AOLS COM-NO	█	█	█

SWITCH WIRING (Position : FULL CLOSE)

AC 1PH (110V, 220V)



PRODUCT NAME :  
Electric Actuator

**KOSAPLUS**  
<http://www.kosaplus.com>

TITLE :

KP010 1Ph AC SMC

REV. 1